



UPC: 192552007368

Weight: 0.0 lbs

Project:	Type:
Prepared By:	Date:

Technical Specifications

Performance

Product Type:

Decorative

Input Wattage:

5W

Lumens:

450lm

Efficacy:

90lm/W

L70 Lifespan:

15,000-Hour LED lifespan based on IES LM-70 results

Wattage Equivalency:

40W Incandescent

Compliance

UL Listed:

Suitable for wet locations. Suitable for use in enclosed fixtures.

Enclosed Fixtures:

Suitable for use in enclosed fixtures

LED Characteristics

Color Temperature:

2700K

Color Accuracy (CRI):

>90 CRI

Beam Angle:

360°

Electrical

Power Factor:

>0.7

Dimmable:

Yes, down to 10%

Flicker:

<30%

Operating Temperature:

-20°C to 45°C (-4°F to 113°F)

Input Voltage:

120V

Operating Frequency:

60 Hz

Construction

Shape:

A15

Endcap Material:

Aluminum

Enclosure Material:

Glass

Installation

Base Type:

E26 Edison

Other

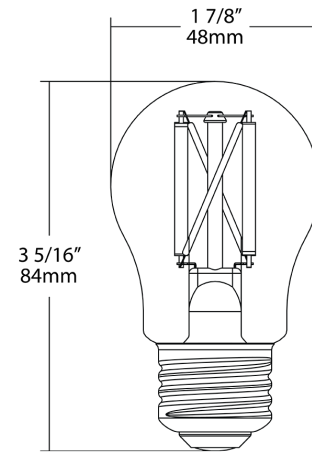
3-Year, No-Compromise Warranty:

RAB warrants that our LED products will be free from defects in materials and workmanship for a period of three (3) years from the date of delivery to the end user, including coverage of light output, color stability, driver performance and fixture finish. RAB's warranty is subject to all terms and conditions found at rablighting.com/warranty.

Case and Pallet Dimensions

	QTY	LENGTH (in)	WIDTH (in)	HEIGHT (in)
CASE	12	9	6.8	5
PALLET	0	0	0	0

Dimension



Features

- Replacement for conventional decorative lamps
- Filament LED construction gives a unique traditional look and feel for decorative and ambient applications
- Produces rich and vibrant colors, >90CRI
- Rated for use in enclosed and open fixtures in dry and damp locations
- Longer lifespan compared to legacy equivalents minimizes replacement and maintenance costs
- ENERGY STAR Compliant, UL Listed
- Smooth uniform dimming down to 10% (See Dimmer Compatibility List)

Ordering Matrix

Family	Wattage	Base Type	CRI/Color Temp	Type	Finish
A15	5	E26	927	F	C
	4 = 4W 5 = 5W	E26 = E26	827 = 80 CRI, 2700 927 = 90 CRI, 2700K	F = Filament	C = Clear F = Frosted