



Color: Black

Weight: 13.0 lbs

**Project:**

**Type:**

**Prepared By:**

**Date:**

### Driver Info

Type	Constant
120V	N/A
208V	N/A
240V	N/A
277V	N/A
Input Watts	160.8-200.8W

### LED Info

Watts	200/180/160W
Color Temp	3000/4000/5000K
Color Accuracy	80-84 CRI
L70 Lifespan	100,000 Hours
Lumens	22,704-28,908 lm
Efficacy	129.4-155.9 lm/W

## Technical Specifications

### Field Adjustability

#### Field Adjustable:

Field Adjustable Light Output:  
200W/180W/160W (factory default: 200W)  
Color Temperature Selectable:  
3000K, 4000K and 5000K (factory default:4000K)

### Compliance

#### UL Listed:

Suitable for wet locations. Suitable for mounting within 4 ft (1.2m) of the ground.

#### IESNA LM-79 & LM-80 Testing:

RAB LED luminaires and LED components have been tested by an independent laboratory in accordance with IESNA LM-79 and LM-80.

#### IP Rating:

Ingress protection rating of IP66 for dust and water

#### DLC Listed:

This product family is listed with the DesignLights Consortium (DLC). Individual SKUs within this family may carry either a DLC Standard or DLC Premium qualification. Please refer to the individual product specification sheet or the DLC Qualified Products List (QPL) at [designlights.org](http://designlights.org) to confirm the qualification status of a specific SKU prior to specification or purchase.

### Performance

#### Lifespan:

100,000-Hour LED lifespan based on IESlm-80 results and TM-21 calculations

#### Wattage Equivalency:

200W: Replaces up to 750W Metal Halide (MH) or 400W High Pressure Sodium (HPS)  
180W: Replaces up to 750W Metal Halide (MH) or 400W High Pressure Sodium (HPS)  
160W: Replaces up to 750W Metal Halide (MH) or 400W High Pressure Sodium (HPS)

### Electrical

#### Driver:

Constant Current, Class 1, 480V, 50/60 Hz:  
200W: 480V: 0.42A  
180W: 480V: 0.38A  
100W: 480V: 0.33A

#### Dimming Driver:

Driver includes dimming control wiring for 0-10V dimming systems. Requires separate 0-10V DC dimming circuit. Dims down to 10%.

#### THD:

11.82% at 480V

#### Power Factor:

94% at 480V

### 7-Pin Receptacle with Shorting Cap:

ANSI C136.41 7-pin receptacle, compatible with wireless control systems

### Surge Protection:

6 kV

### Optical

#### IES Classification:

The Type II distribution is ideal for wide walkways, on ramps and entrance roadways, bike paths and other long and narrow lighting applications. This type is meant for lighting larger areas and usually is located near the roadside. This type of lighting is commonly found on smaller side streets or jogging paths.

#### BUG Rating:

Type 2  
200W: B3 U0 G3  
180W: B3 U0 G3  
160W: B3 U0 G3

### LED Characteristics

#### LEDs:

Long-life, high-efficacy, surface-mount LEDs

#### Color Uniformity:

RAB's range of Correlated Color Temperature follows the guidelines of the American National Standard for Specifications for the Chromaticity of Solid State Lighting (SSL) Products, ANSI C78.377-2017.

## Technical Specifications (continued)

### Construction

---

**Cold Weather Starting:**

The minimum starting temperature is -40°F (-40°C)

**Maximum Ambient Temperature:**

Suitable for use in up to 104°F (40°C)

**Lens:**

Polycarbonate lens

**Housing:**

Die-cast aluminum

**Effective Projected Area (EPA):**

1 Fixture: 0.4

2 Fixtures: 0.8

3 Fixtures: 1.4

4 Fixtures: 1.4

**Finish:**

Formulated for high durability and long-lasting color

**Gaskets:**

High-temperature silicone gaskets

**Green Technology:**

Mercury and UV free. RoHS-compliant components.

### Sensor Settings

---

**Sensor Connection Type:**

Pogo pin

**Max Mounting Height:**

50 ft

**Detection Range:**

50 ft diameter mounted at 50 ft

**Sensor Technology:**

Microwave (MVS)

**Default Setting:**

Motion Sensitivity: High

Brightness when triggered : 100%

Hold time: 20 minutes

Standby to dim: 20%

Standby time: 1 minute

When vacant: Off

Daylight: Disabled

**Adjustable Sensor Settings?:**

Yes, using the MSR1 Remote (sold separately)

Standby to dim: 10%/20%/30%/50%

Standby time:

0s/10s/30s/1min/5min/10min/30min/60min/+∞

**Daylight Threshold:**

2Lux/10Lux/30Lux/50Lux/80Lux/120Lux/Disable

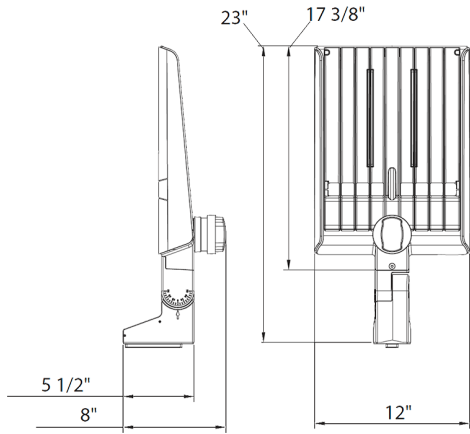
### Other

---

**5-Year Limited Warranty:**

The RAB 5-year, limited warranty covers light output, driver performance and paint finish. RAB's warranty is subject to all terms and conditions found at [rablighting.com/warranty](http://rablighting.com/warranty).

**Dimensions**



**Features**

- DLC Premium listed
- Adjustable Universal Pole Mount
- 7-Pin Receptacle with Shorting Cap
- IP66 Rated
- 100,000-Hour LED lifespan
- 5-Year, limited warranty

**Ordering Matrix**

Family	Optics	Wattage	Mounting	Color Temp	Finish	Driver	Options
A22	-	2T	200		B	/480	/MVS
	2T = Type II 4T = Type IV 5T = Type V Blank = Type III	70 = 70/60/50W 100 = 100/80/60W 150 = 150/120/100W 200 = 200/180/160W 320 = 320/280/250W	Blank = Universal Adjustable Pole Mount Blank = Universal Non-Adjustable Pole Mount	Blank = 3000/4000/5000K CCT Adjustable Y = 3000K	Blank = Bronze W = White B = Black	Blank = 120-277V, 0-10V Dimming /480 = 480V, 0-10V Dimming	Blank = 7-Pin Receptacle with Shorting Cap /MVS = 7-Pin Receptacle with Shorting Cap and Microwave Motion Sensor w/PIR Sensor /LCBS = Lightcloud Blue w/PIR Sensor /LCBS/MVS = Lightcloud Blue w/MVS Sensor