



Color: Bronze

Weight: 13.0 lbs

Project:	Type:
Prepared By:	Date:

Driver Info		LED Info	
Type	Constant	Watts	200/180/160W
120V	N/A	Color Temp	3000/4000/5000K
208V	N/A	Color Accuracy	80-84 CRI
240V	N/A	L70 Lifespan	100,000 Hours
277V	N/A	Lumens	22,704-28,908 lm
Input Watts	160.8-200.8W	Efficacy	129.4-155.9 lm/W

Technical Specifications

Field Adjustability

Field Adjustable:

Field Adjustable Light Output:
200W/180W/160W (factory default: 200W)
Color Temperature Selectable:
3000K, 4000K and 5000K (factory default:4000K)

Compliance

UL Listed:

Suitable for wet locations. Suitable for mounting within 4 ft (1.2m) of the ground.

IESNA LM-79 & LM-80 Testing:

RAB LED luminaires and LED components have been tested by an independent laboratory in accordance with IESNA LM-79 and LM-80.

IP Rating:

Ingress protection rating of IP66 for dust and water

DLC Listed:

This product family is listed with the DesignLights Consortium (DLC). Individual SKUs within this family may carry either a DLC Standard or DLC Premium qualification. Please refer to the individual product specification sheet or the DLC Qualified Products List (QPL) at designlights.org to confirm the qualification status of a specific SKU prior to specification or purchase.

Performance

Lifespan:

100,000-Hour LED lifespan based on IESlm-80 results and TM-21 calculations

Wattage Equivalency:

200W: Replaces up to 750W Metal Halide (MH) or 400W High Pressure Sodium (HPS)
180W: Replaces up to 750W Metal Halide (MH) or 400W High Pressure Sodium (HPS)
160W: Replaces up to 750W Metal Halide (MH) or 400W High Pressure Sodium (HPS)

Electrical

Driver:

Constant Current, Class 1, 480V, 50/60 Hz:
200W: 480V: 0.42A
180W: 480V: 0.38A
100W: 480V: 0.33A

Dimming Driver:

Driver includes dimming control wiring for 0-10V dimming systems. Requires separate 0-10V DC dimming circuit. Dims down to 10%.

THD:

11.82% at 480V

Power Factor:

94% at 480V

7-Pin Receptacle with Shorting Cap:

ANSI C136.41 7-pin receptacle, compatible with wireless control systems

Surge Protection:

6 kV

Optical

IES Classification:

The Type II distribution is ideal for wide walkways, on ramps and entrance roadways, bike paths and other long and narrow lighting applications. This type is meant for lighting larger areas and usually is located near the roadside. This type of lighting is commonly found on smaller side streets or jogging paths.

BUG Rating:

Type 2
200W: B3 U0 G3
180W: B3 U0 G3
160W: B3 U0 G3

LED Characteristics

LEDs:

Long-life, high-efficacy, surface-mount LEDs

Color Uniformity:

RAB's range of Correlated Color Temperature follows the guidelines of the American National Standard for Specifications for the Chromaticity of Solid State Lighting (SSL) Products, ANSI C78.377-2017.

Technical Specifications (continued)

Construction

Cold Weather Starting:

The minimum starting temperature is -40°F (-40°C)

Maximum Ambient Temperature:

Suitable for use in up to 104°F (40°C)

Lens:

Polycarbonate lens

Housing:

Die-cast aluminum

Effective Projected Area (EPA):

1 Fixture: 0.4

2 Fixtures: 0.8

3 Fixtures: 1.4

4 Fixtures: 1.4

Finish:

Formulated for high durability and long-lasting color

Gaskets:

High-temperature silicone gaskets

Green Technology:

Mercury and UV free. RoHS-compliant components.

Sensor Settings

Sensor Connection Type:

Pogo pin

Max Mounting Height:

50 ft

Detection Range:

50 ft diameter mounted at 50 ft

Sensor Technology:

Microwave (MVS)

Default Setting:

Motion Sensitivity: High

Brightness when triggered : 100%

Hold time: 20 minutes

Standby to dim: 20%

Standby time: 1 minute

When vacant: Off

Daylight: Disabled

Adjustable Sensor Settings?:

Yes, using the MSR1 Remote (sold separately)

Standby to dim: 10%/20%/30%/50%

Standby time:

0s/10s/30s/1min/5min/10min/30min/60min/+∞

Daylight Threshold:

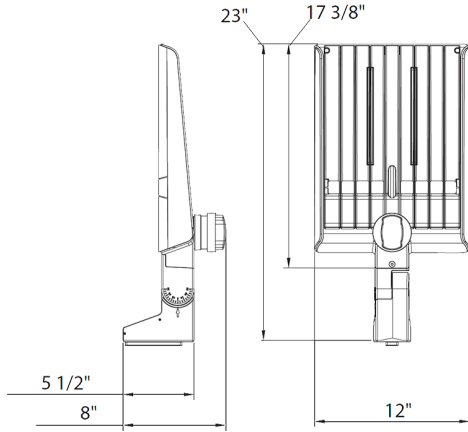
2Lux/10Lux/30Lux/50Lux/80Lux/120Lux/Disable

Other

5-Year Limited Warranty:

The RAB 5-year, limited warranty covers light output, driver performance and paint finish. RAB's warranty is subject to all terms and conditions found at rablighting.com/warranty.

Dimensions



Features

- DLC Premium listed
- Adjustable Universal Pole Mount
- 7-Pin Receptacle with Shorting Cap
- IP66 Rated
- 100,000-Hour LED lifespan
- 5-Year, limited warranty

Ordering Matrix

Family	Optics	Wattage	Mounting	Color Temp	Finish	Driver	Options
A22	-	2T	200			/480	/MVS
	2T = Type II 4T = Type IV 5T = Type V Blank = Type III	70 = 70/60/50W 100 = 100/80/60W 150 = 150/120/100W 200 = 200/180/160W 320 = 320/280/250W	Blank = Universal Adjustable Pole Mount Blank = Universal Non-Adjustable Pole Mount	Blank = 3000/4000/5000K CCT Adjustable Y = 3000K	Blank = Bronze W = White B = Black	Blank = 120-277V, 0-10V Dimming /480 = 480V, 0-10V Dimming	Blank = 7-Pin Receptacle with Shorting Cap /MVS = 7-Pin Receptacle with Shorting Cap and Microwave Motion Sensor /LCBS = Lightcloud Blue w/PIR Sensor /LCBS/MVS = Lightcloud Blue w/MVS Sensor