



<b>Project:</b>	<b>Type:</b>
<b>Prepared By:</b>	<b>Date:</b>

Driver Info		LED Info	
Type	Constant	Watts	200/180/160W
120V	N/A	Color Temp	3000/4000/5000K
208V	N/A	Color Accuracy	80-84 CRI
240V	N/A	L70 Lifespan	100,000 Hours
277V	N/A	Lumens	22,109-28,052 lm
Input Watts	160.8-200.8W	Efficacy	125.6-151.4 lm/W

## Technical Specifications

### Field Adjustability

#### Field Adjustable:

Field Adjustable Light Output:  
200W/180W/160W (factory default: 200W)  
Color Temperature Selectable:  
3000K, 4000K and 5000K (factory default:4000K)

### Compliance

#### UL Listed:

Suitable for wet locations. Suitable for mounting within 4 ft (1.2m) of the ground.

#### IESNA LM-79 & LM-80 Testing:

RAB LED luminaires and LED components have been tested by an independent laboratory in accordance with IESNA LM-79 and LM-80.

#### IP Rating:

Ingress protection rating of IP66 for dust and water

#### DLC Listed:

This product family is listed with the DesignLights Consortium (DLC). Individual SKUs within this family may carry either a DLC Standard or DLC Premium qualification. Please refer to the individual product specification sheet or the DLC Qualified Products List (QPL) at [designlights.org](http://designlights.org) to confirm the qualification status of a specific SKU prior to specification or purchase.

### Performance

#### Lifespan:

100,000-Hour LED lifespan based on IESlm-80 results and TM-21 calculations

#### Wattage Equivalency:

200W: Replaces up to 750W Metal Halide (MH) or 400W High Pressure Sodium (HPS)  
180W: Replaces up to 750W Metal Halide (MH) or 400W High Pressure Sodium (HPS)  
160W: Replaces up to 750W Metal Halide (MH) or 400W High Pressure Sodium (HPS)

### Electrical

#### Driver:

Constant Current, Class 1, 480V, 50/60 Hz:  
200W: 480V: 0.42A  
180W: 480V: 0.38A  
100W: 480V: 0.33A

#### Dimming Driver:

Driver includes dimming control wiring for 0-10V dimming systems. Requires separate 0-10V DC dimming circuit. Dims down to 10%.

#### THD:

11.82% at 480V

#### Power Factor:

94% at 480V

#### 7-Pin Receptacle with Shorting Cap:

ANSI C136.41 7-pin receptacle, compatible with wireless control systems

#### Surge Protection:

6 kV

### Optical

#### IES Classification:

The Type IV distribution (also known as a Forward Throw) is especially suited for mounting on the sides of buildings and walls, and for illuminating the perimeter of parking areas. It produces a semicircular distribution with essentially the same candlepower at lateral angles from 90° to 270°.

#### BUG Rating:

Type 4  
200W: B3 U0 G3  
180W: B3 U0 G3  
160W: B3 U0 G3

### LED Characteristics

#### LEDs:

Long-life, high-efficacy, surface-mount LEDs

#### Color Uniformity:

RAB's range of Correlated Color Temperature follows the guidelines of the American National Standard for Specifications for the Chromaticity of Solid State Lighting (SSL) Products, ANSI C78.377-2017.

## Technical Specifications (continued)

### Construction

---

**Cold Weather Starting:**

The minimum starting temperature is -40°F (-40°C)

**Maximum Ambient Temperature:**

Suitable for use in up to 104°F (40°C)

**Lens:**

Polycarbonate lens

**Housing:**

Die-cast aluminum

**Effective Projected Area (EPA):**

1 Fixture: 0.4

2 Fixtures: 0.8

3 Fixtures: 1.4

4 Fixtures: 1.4

**Finish:**

Formulated for high durability and long-lasting color

**Gaskets:**

High-temperature silicone gaskets

**Green Technology:**

Mercury and UV free. RoHS-compliant components.

### Sensor Settings

---

**Sensor Connection Type:**

Pogo pin

**Max Mounting Height:**

50 ft

**Detection Range:**

50 ft diameter mounted at 50 ft

**Sensor Technology:**

Microwave (MVS)

**Default Setting:**

Motion Sensitivity: High

Brightness when triggered : 100%

Hold time: 20 minutes

Standby to dim: 20%

Standby time: 1 minute

When vacant: Off

Daylight: Disabled

**Adjustable Sensor Settings?:**

Yes, using the MSR1 Remote (sold separately)

Standby to dim: 10%/20%/30%/50%

Standby time:

0s/10s/30s/1min/5min/10min/30min/60min/+∞

**Daylight Threshold:**

2Lux/10Lux/30Lux/50Lux/80Lux/120Lux/Disable

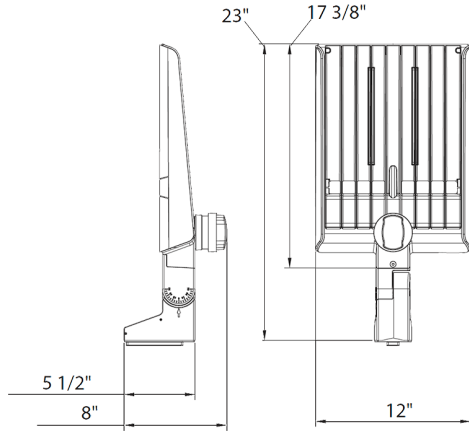
### Other

---

**5-Year Limited Warranty:**

The RAB 5-year, limited warranty covers light output, driver performance and paint finish. RAB's warranty is subject to all terms and conditions found at [rablighting.com/warranty](http://rablighting.com/warranty).

## Dimensions



## Features

- DLC Premium listed
- Adjustable Universal Pole Mount
- 7-Pin Receptacle with Shorting Cap
- IP66 Rated
- 100,000-Hour LED lifespan
- 5-Year, limited warranty

## Ordering Matrix

Family	Optics	Wattage	Mounting	Color Temp	Finish	Driver	Options
A22	-	4T	200		W	/480	/MVS
	<b>2T</b> = Type II <b>4T</b> = Type IV <b>5T</b> = Type V <b>Blank</b> = Type III	<b>70</b> = 70/60/50W <b>100</b> = 100/80/60W <b>150</b> = 150/120/100W <b>200</b> = 200/180/160W <b>320</b> = 320/280/250W	<b>Blank</b> = Universal Adjustable Pole Mount <b>Blank</b> = Universal Non-Adjustable Pole Mount	<b>Blank</b> = 3000/4000/5000K CCT Adjustable <b>Y</b> = 3000K	<b>Blank</b> = Bronze <b>W</b> = White <b>B</b> = Black	<b>Blank</b> = 120-277V, 0-10V Dimming <b>/480</b> = 480V, 0-10V Dimming	<b>Blank</b> = 7-Pin Receptacle with Shorting Cap <b>/MVS</b> = 7-Pin Receptacle with Shorting Cap and Microwave Motion Sensor <b>/LCBS</b> = Lightcloud Blue w/PIR Sensor <b>/LCBS/MVS</b> = Lightcloud Blue w/MVS Sensor