



Project:	Type:
Prepared By:	Date:

Driver Info		LED Info	
Type	Constant	Watts	200/180/160W
120V	N/A	Color Temp	3000/4000/5000K
208V	N/A	Color Accuracy	80-84 CRI
240V	N/A	L70 Lifespan	100,000 Hours
277V	N/A	Lumens	22,109-28,052 lm
Input Watts	160.8-200.8W	Efficacy	125.6-151.4 lm/W

Technical Specifications

Field Adjustability

Field Adjustable:

Field Adjustable Light Output:
200W/180W/160W (factory default: 200W)
Color Temperature Selectable:
3000K, 4000K and 5000K (factory default:4000K)

Compliance

UL Listed:

Suitable for wet locations. Suitable for mounting within 4 ft (1.2m) of the ground.

IESNA LM-79 & LM-80 Testing:

RAB LED luminaires and LED components have been tested by an independent laboratory in accordance with IESNA LM-79 and LM-80.

IP Rating:

Ingress protection rating of IP66 for dust and water

DLC Listed:

This product family is listed with the DesignLights Consortium (DLC). Individual SKUs within this family may carry either a DLC Standard or DLC Premium qualification. Please refer to the individual product specification sheet or the DLC Qualified Products List (QPL) at designlights.org to confirm the qualification status of a specific SKU prior to specification or purchase.

Performance

Lifespan:

100,000-Hour LED lifespan based on IESlm-80 results and TM-21 calculations

Wattage Equivalency:

200W: Replaces up to 750W Metal Halide (MH) or 400W High Pressure Sodium (HPS)
180W: Replaces up to 750W Metal Halide (MH) or 400W High Pressure Sodium (HPS)
160W: Replaces up to 750W Metal Halide (MH) or 400W High Pressure Sodium (HPS)

Electrical

Driver:

Constant Current, Class 1, 480V, 50/60 Hz:
200W: 480V: 0.42A
180W: 480V: 0.38A
100W: 480V: 0.33A

Dimming Driver:

Driver includes dimming control wiring for 0-10V dimming systems. Requires separate 0-10V DC dimming circuit. Dims down to 10%.

THD:

11.82% at 480V

Power Factor:

94% at 480V

7-Pin Receptacle with Shorting Cap:

ANSI C136.41 7-pin receptacle, compatible with wireless control systems

Surge Protection:

6 kV

Optical

IES Classification:

The Type IV distribution (also known as a Forward Throw) is especially suited for mounting on the sides of buildings and walls, and for illuminating the perimeter of parking areas. It produces a semicircular distribution with essentially the same candlepower at lateral angles from 90° to 270°.

BUG Rating:

Type 4
200W: B3 U0 G3
180W: B3 U0 G3
160W: B3 U0 G3

LED Characteristics

LEDs:

Long-life, high-efficacy, surface-mount LEDs

Color Uniformity:

RAB's range of Correlated Color Temperature follows the guidelines of the American National Standard for Specifications for the Chromaticity of Solid State Lighting (SSL) Products, ANSI C78.377-2017.

Technical Specifications (continued)

Construction

Cold Weather Starting:

The minimum starting temperature is -40°F (-40°C)

Maximum Ambient Temperature:

Suitable for use in up to 104°F (40°C)

Lens:

Polycarbonate lens

Housing:

Die-cast aluminum

Effective Projected Area (EPA):

1 Fixture: 0.4
2 Fixtures: 0.8
3 Fixtures: 1.4
4 Fixtures: 1.4

Finish:

Formulated for high durability and long-lasting color

Gaskets:

High-temperature silicone gaskets

Green Technology:

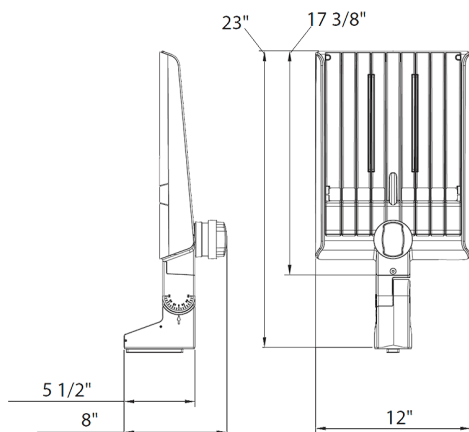
Mercury and UV free. RoHS-compliant components.

Other

5-Year Limited Warranty:

The RAB 5-year, limited warranty covers light output, driver performance and paint finish. RAB's warranty is subject to all terms and conditions found at rablighting.com/warranty.

Dimensions



Features

- DLC Premium listed
- Adjustable Universal Pole Mount
- 7-Pin Receptacle with Shorting Cap
- IP66 Rated
- 100,000-Hour LED lifespan
- 5-Year, limited warranty

Ordering Matrix

Family	Optics	Wattage	Mounting	Color Temp	Finish	Driver	Options
A22	-	4T	200		W	/480	
	2T = Type II 4T = Type IV 5T = Type V Blank = Type III	70 = 70/60/50W 100 = 100/80/60W 150 = 150/120/100W 200 = 200/180/160W 320 = 320/280/250W	Blank = Universal Adjustable Pole Mount Blank = Universal Non-Adjustable Pole Mount	Blank = 3000/4000/5000K CCT Adjustable Y = 3000K	Blank = Bronze W = White B = Black	Blank = 120-277V, 0-10V Dimming /480 = 480V, 0-10V Dimming	Blank = 7-Pin Receptacle with Shorting Cap /MVS = 7-Pin Receptacle with Shorting Cap and Microwave Motion Sensor /LCBS = Lightcloud Blue w/PIR Sensor /LCBS/MVS = Lightcloud Blue w/MVS Sensor