



Color: Bronze

Weight: 11.2 lbs

**Project:**

**Type:**

**Prepared By:**

**Date:**

### Driver Info

|             |            |
|-------------|------------|
| Type        | Constant   |
| 120V        | N/A        |
| 208V        | N/A        |
| 240V        | N/A        |
| 277V        | N/A        |
| Input Watts | 61.7-99.8W |

### LED Info

|                |                  |
|----------------|------------------|
| Watts          | 100/80/60W       |
| Color Temp     | N/A              |
| Color Accuracy | 80-84 CRI        |
| L70 Lifespan   | 100,000 Hours    |
| Lumens         | 9,232-14,745 lm  |
| Efficacy       | 133.7-160.9 lm/W |

## Technical Specifications

### Field Adjustability

#### Field Adjustable:

Field Adjustable Light Output:  
100W/80W/60W (factory default: 100W)  
Color Temperature Selectable:  
3000K, 4000K and 5000K (factory default:4000K)

### Compliance

#### UL Listed:

Suitable for wet locations. Suitable for mounting within 4 ft (1.2m) of the ground.

#### IESNA LM-79 & LM-80 Testing:

RAB LED luminaires and LED components have been tested by an independent laboratory in accordance with IESNA LM-79 and LM-80.

#### IP Rating:

Ingress protection rating of IP66 for dust and water

#### DLC Listed:

This product family is listed with the DesignLights Consortium (DLC). Individual SKUs within this family may carry either a DLC Standard or DLC Premium qualification. Please refer to the individual product specification sheet or the DLC Qualified Products List (QPL) at [designlights.org](http://designlights.org) to confirm the qualification status of a specific SKU prior to specification or purchase.

### Performance

#### Lifespan:

100,000-Hour LED lifespan based on IESlm-80 results and TM-21 calculations

#### Wattage Equivalency:

100W: Replaces up to 400W Metal Halide (MH) or 310W High Pressure Sodium (HPS)  
80W: Replaces up to 350W Metal Halide (MH) or 250W High Pressure Sodium (HPS)  
60W: Replaces up to 250W Metal Halide (MH) or 200W High Pressure Sodium (HPS)

### Electrical

#### Driver:

Constant Current, Class 1, 480V, 50/60 Hz:  
100W: 480V: 0.21A  
80W: 480V: 0.17A  
60W: 480V: 0.13A

#### Dimming Driver:

Driver includes dimming control wiring for 0-10V dimming systems. Requires separate 0-10V DC dimming circuit. Dims down to 10%.

#### THD:

13.72% at 480V

#### Power Factor:

93.4% at 120V, 0% at 277V

### 7-Pin Receptacle with Shorting Cap:

ANSI C136.41 7-pin receptacle, compatible with wireless control systems

### Surge Protection:

6 kV

### Optical

#### IES Classification:

The Type V distribution produces light in a wide and uniform 360° pattern that is perfect for large outdoor areas such as parking lots, corporate parks and retail settings

### BUG Rating:

Type 5  
100W: B3 U0 G2  
80W: B3 U0 G1  
60W: B2 U0 G1

### LED Characteristics

#### LEDs:

Long-life, high-efficacy, surface-mount LEDs

### Color Uniformity:

RAB's range of Correlated Color Temperature follows the guidelines of the American National Standard for Specifications for the Chromaticity of Solid State Lighting (SSL) Products, ANSI C78.377-2017.

## Technical Specifications (continued)

### Construction

#### Cold Weather Starting:

The minimum starting temperature is -40°F (-40°C)

#### Maximum Ambient Temperature:

Suitable for use in up to 104°F (40°C)

#### Lens:

Polycarbonate lens

#### Housing:

Die-cast aluminum

#### Effective Projected Area (EPA):

1 Fixture: 0.3

2 Fixtures: 0.7

3 Fixtures: 1.2

4 Fixtures: 1.2

#### Finish:

Formulated for high durability and long-lasting color

#### Gaskets:

High-temperature silicone gaskets

#### Green Technology:

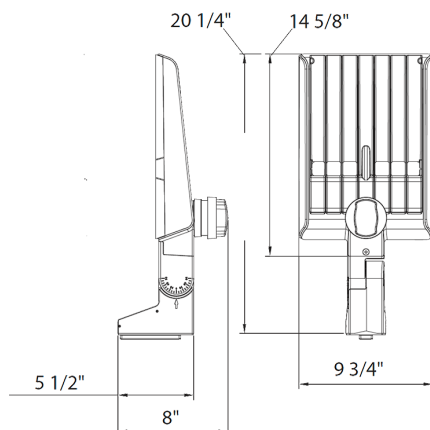
Mercury and UV free. RoHS-compliant components.

### Other

#### 5-Year Limited Warranty:

The RAB 5-year, limited warranty covers light output, driver performance and paint finish. RAB's warranty is subject to all terms and conditions found at [rablighting.com/warranty](http://rablighting.com/warranty).

## Dimensions



## Features

DLC Premium listed

Adjustable Universal Pole Mount

7-Pin Receptacle with Shorting Cap

IP66 Rated

100,000-Hour LED lifespan

5-Year, limited warranty

## Ordering Matrix

| Family | Optics  | Wattage  | Mounting   | Color Temp  | Finish                                   | Driver  | Options   |
|--------|---|--|--|---|--|---|---|
| A22    | -   | 5T   | 100  |   |  | /480  |   |
|        | 2T = Type II<br>4T = Type IV<br>5T = Type V<br>Blank = Type III | 70 = 70/60/50W<br>100 = 100/80/60W<br>150 = 150/120/100W<br>200 = 200/180/160W<br>320 = 320/280/250W | Blank = Universal Adjustable Pole Mount<br>Blank = Universal Non-Adjustable Pole Mount | Blank = 3000/4000/5000K CCT Adjustable<br>Y = 3000K | Blank = Bronze<br>W = White<br>B = Black | Blank = 120-277V, 0-10V Dimming<br>/480 = 480V, 0-10V Dimming | Blank = 7-Pin Receptacle with Shorting Cap<br>/MVS = 7-Pin Receptacle with Shorting Cap and Microwave Motion Sensor<br>/LCBS = Lightcloud Blue w/PIR Sensor<br>/LCBS/MVS = Lightcloud Blue w/MVS Sensor |