



| | |
|---------------------|--------------|
| Project: | Type: |
| Prepared By: | Date: |

| Driver Info | | LED Info | |
|-------------|--------------|----------------|------------------|
| Type | Constant | Watts | 150/120/100W |
| 120V | N/A | Color Temp | N/A |
| 208V | N/A | Color Accuracy | 80-84 CRI |
| 240V | N/A | L70 Lifespan | 100,000 Hours |
| 277V | N/A | Lumens | 15,452-22,278 lm |
| Input Watts | 100.6-145.2W | Efficacy | 139.9-166.2 lm/W |

Technical Specifications

Field Adjustability

Field Adjustable:

Field Adjustable Light Output:
150W/120W/100W (factory default: 150W)
Color Temperature Selectable:
3000K, 4000K and 5000K (factory default:4000K)

Compliance

UL Listed:

Suitable for wet locations. Suitable for mounting within 4 ft (1.2m) of the ground.

IESNA LM-79 & LM-80 Testing:

RAB LED luminaires and LED components have been tested by an independent laboratory in accordance with IESNA LM-79 and LM-80.

IP Rating:

Ingress protection rating of IP66 for dust and water

DLC Listed:

This product family is listed with the DesignLights Consortium (DLC). Individual SKUs within this family may carry either a DLC Standard or DLC Premium qualification. Please refer to the individual product specification sheet or the DLC Qualified Products List (QPL) at designlights.org to confirm the qualification status of a specific SKU prior to specification or purchase.

Performance

Lifespan:

100,000-Hour LED lifespan based on IESIm-80 results and TM-21 calculations

Wattage Equivalency:

150W: Replaces up to 400W Metal Halide (MH) or 400W High Pressure Sodium (HPS)
120W: Replaces up to 400W Metal Halide (MH) or 310W High Pressure Sodium (HPS)
100W: Replaces up to 400W Metal Halide (MH) or 310W High Pressure Sodium (HPS)

Electrical

Driver:

Constant Current, Class 1, 480V, 50/60 Hz:
150W: 480V: 0.32A
120W: 480V: 0.25A
100W: 480V: 0.21A

Dimming Driver:

Driver includes dimming control wiring for 0-10V dimming systems. Requires separate 0-10V DC dimming circuit. Dims down to 10%.

THD:

20.33% at 480V

Power Factor:

87.5% at 480V

7-Pin Receptacle with Shorting Cap:

ANSI C136.41 7-pin receptacle, compatible with wireless control systems

Surge Protection:

6 kV

Optical

IES Classification:

The Type V distribution produces light in a wide and uniform 360° pattern that is perfect for large outdoor areas such as parking lots, corporate parks and retail settings

BUG Rating:

Type 5
150W: B4 U0 G2
120W: B4 U0 G2
100W: B4 U0 G2

LED Characteristics

LEDs:

Long-life, high-efficacy, surface-mount LEDs

Color Uniformity:

RAB's range of Correlated Color Temperature follows the guidelines of the American National Standard for Specifications for the Chromaticity of Solid State Lighting (SSL) Products, ANSI C78.377-2017.

Technical Specifications (continued)

Construction

Cold Weather Starting:

The minimum starting temperature is -40°F (-40°C)

Maximum Ambient Temperature:

Suitable for use in up to 104°F (40°C)

Lens:

Polycarbonate lens

Housing:

Die-cast aluminum

Effective Projected Area (EPA):

1 Fixture: 0.4

2 Fixtures: 0.8

3 Fixtures: 1.4

4 Fixtures: 1.4

Finish:

Formulated for high durability and long-lasting color

Gaskets:

High-temperature silicone gaskets

Green Technology:

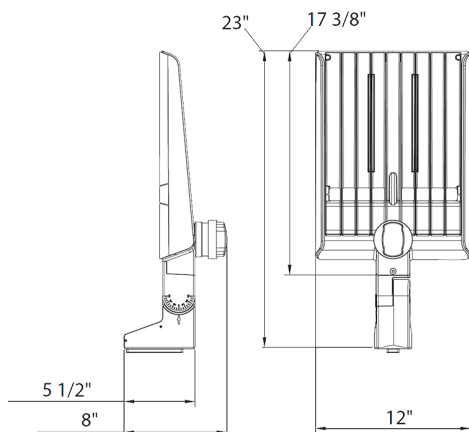
Mercury and UV free. RoHS-compliant components.

Other

5-Year Limited Warranty:

The RAB 5-year, limited warranty covers light output, driver performance and paint finish. RAB's warranty is subject to all terms and conditions found at rablighting.com/warranty.

Dimensions



Features

DLC Premium listed

Adjustable Universal Pole Mount

7-Pin Receptacle with Shorting Cap

IP66 Rated

100,000-Hour LED lifespan

5-Year, limited warranty

Ordering Matrix

| Family | Optics | Wattage | Mounting | Color Temp | Finish | Driver | Options |
|--------|---|--|--|---|--|---|---|
| A22 | - | 5T | 150 | | W | /480 | |
| | 2T = Type II 4T = Type IV 5T = Type V Blank = Type III | 70 = 70/60/50W 100 = 100/80/60W 150 = 150/120/100W 200 = 200/180/160W 320 = 320/280/250W | Blank = Universal Adjustable Pole Mount Blank = Universal Non-Adjustable Pole Mount | Blank = 3000/4000/5000K CCT Adjustable Y = 3000K | Blank = Bronze W = White B = Black | Blank = 120-277V, 0-10V Dimming /480 = 480V, 0-10V Dimming | Blank = 7-Pin Receptacle with Shorting Cap /MVS = 7-Pin Receptacle with Shorting Cap and Microwave Motion Sensor /LCBS = Lightcloud Blue w/PIR Sensor /LCBS/MVS = Lightcloud Blue w/MVS Sensor |