



Color: Bronze

Weight: 15.8 lbs

Project:

Type:

Prepared By:

Date:

Driver Info

Type	Constant
120V	2.66A/2.33A/2.08A
208V	1.53A/1.34A/1.20A
240V	1.33A/1.16A/1.04A
277V	1.15A/1.01A/0.90A
Input Watts	306.8/277.1/246.8W

LED Info

Watts	320/280/250W
Color Temp	3000K
Color Accuracy	82 CRI
L70 Lifespan	100,000 Hours
Lumens	43,880/40,601/36,981 lm
Efficacy	143/146.5/149.8 lm/W

Technical Specifications

Field Adjustability

Field Adjustable:

Field Adjustable Light Output:
320W/280W/250W (factory default: 320W)

Compliance

UL Listed:

Suitable for wet locations. Suitable for mounting within 4 ft (1.2m) of the ground.

IESNA LM-79 & LM-80 Testing:

RAB LED luminaires and LED components have been tested by an independent laboratory in accordance with IESNA LM-79 and LM-80.

IP Rating:

Ingress protection rating of IP66 for dust and water

Trade Agreements Act Compliant:

This product is a product of Cambodia and a "designated country" end product that complies with the Trade Agreements Act

DLC Listed:

This product family is listed with the DesignLights Consortium (DLC). Individual SKUs within this family may carry either a DLC Standard or DLC Premium qualification. Please refer to the individual product specification sheet or the DLC Qualified Products List (QPL) at designlights.org to confirm the qualification status of a specific SKU prior to specification or purchase.

LUNA:

This product has received the Design Lights Consortium's LUNA listing. Designed to meet LUNA 5.1 requirements.
LUNA Product Code: S-T58GNF

Performance

Lifespan:

100,000-Hour LED lifespan based on IESIm-80 results and TM-21 calculations

THD:

4.66% at 120V, 7.28% at 277V

Wattage Equivalency:

320W: Replaces up to 1,000W Metal Halide (MH) or 750W High Pressure Sodium (HPS)
280W: Replaces up to 1,000W Metal Halide (MH) or 600W High Pressure Sodium (HPS)
250W: Replaces up to 750W Metal Halide (MH) or 600W High Pressure Sodium (HPS)

Electrical

Driver:

Constant Current, Class 1, 120-277V, 50/60 Hz:
320W: 120V: 2.66A, 208V: 1.53A, 240V: 1.33A, 277V: 1.15A
280W: 120V: 2.33A, 208V: 1.34A, 240V: 1.16A, 277V: 1.01A
250W: 120V: 2.08A, 208V: 1.2A, 240V: 1.04A, 277V: 0.9A

Dimming Driver:

Driver includes dimming control wiring for 0-10V dimming systems. Requires separate 0-10V DC dimming circuit. Dims down to 10%.

Power Factor:

99.9% at 120V, 97.9% at 277V

7-Pin Receptacle with Shorting Cap:

ANSI C136.41 7-pin receptacle, compatible with wireless control systems

Surge Protection:

6 kV

Optical

IES Classification:

The Type V distribution produces light in a wide and uniform 360° pattern that is perfect for large outdoor areas such as parking lots, corporate parks and retail settings

Technical Specifications (continued)

BUG Rating:

Type 5
320W: B5 U0 G4
280W: B4 U0 G4
250W: B4 U0 G3

LED Characteristics

LEDs:

Long-life, high-efficacy, surface-mount LEDs

Color Uniformity:

RAB's range of Correlated Color Temperature follows the guidelines of the American National Standard for Specifications for the Chromaticity of Solid State Lighting (SSL) Products, ANSI C78.377-2017.

Construction

Cold Weather Starting:

The minimum starting temperature is -40°F (-40°C)

Maximum Ambient Temperature:

Suitable for use in up to 104°F (40°C)

Lens:

Polycarbonate lens

Housing:

Die-cast aluminum

Effective Projected Area (EPA):

1 Fixture: 0.4
2 Fixtures: 0.8
3 Fixtures: 1.6
4 Fixtures: 1.6

Finish:

Formulated for high durability and long-lasting color

Gaskets:

High-temperature silicone gaskets

Green Technology:

Mercury and UV free. RoHS-compliant components.

Installation

Mounting:

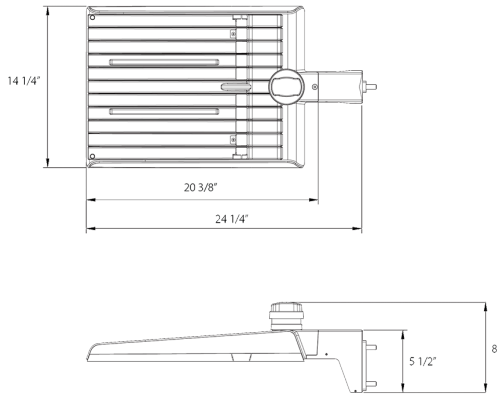
Non-Adjustable universal pole mount

Other

5-Year Limited Warranty:

The RAB 5-year, limited warranty covers light output, driver performance and paint finish. RAB's warranty is subject to all terms and conditions found at rablighting.com/warranty.

Dimensions



Features

- DLC Premium listed
- Luna Listed
- Non-Adjustable Universal Pole Mount
- 7-Pin Receptacle with Shorting Cap
- IP66 Rated
- 100,000-Hour LED lifespan
- 5-Year, limited warranty

Ordering Matrix

Family	Optics	Wattage	Mounting	Color Temp	Finish	Driver	Options
A22	-	5T	320	Blank	Y		
	2T = Type II 4T = Type IV 5T = Type V Blank = Type III	70 = 70/60/50W 100 = 100/80/60W 150 = 150/120/100W 200 = 200/180/160W 320 = 320/280/250W	Blank = Universal Adjustable Pole Mount Blank = Universal Non-Adjustable Pole Mount	Blank = 3000/4000/5000K CCT Adjustable Y = 3000K	Blank = Bronze W = White B = Black	Blank = 120-277V, 0-10V Dimming /480 = 480V, 0-10V Dimming	Blank = 7-Pin Receptacle with Shorting Cap /MVS = 7-Pin Receptacle with Shorting Cap and Microwave Motion Sensor /LCBS = Lightcloud Blue w/PIR Sensor /LCBS/MVS = Lightcloud Blue w/MVS Sensor