



Color: Bronze

Weight: 31.8 lbs

Project:	Type:
Prepared By:	Date:

Driver Info		LED Info	
Type	Constant Current	Watts	150W
120V	1.36A	Color Temp	Amber
208V	0.79A	Color Accuracy	N/A CRI
240V	0.68A	L70 Lifespan	50,000 Hours
277V	0.62A	Lumens	9,642 lm
Input Watts	162.8W	Efficacy	59.2

Technical Specifications

Compliance

UL Listed:

Suitable for wet locations

IESNA LM-79 & LM-80 Testing:

RAB LED luminaires and LED components have been tested by an independent laboratory in accordance with IESNA LM-79 and LM-80.

IP Rating:

Ingress protection rating of IP65 for dust and water

DarkSky Approved (Commercial Luminaire):

Commercial luminaires are outdoor luminaires that are used on properties of commercial or industrial businesses and places with high traffic, such as schools, hotels, and government buildings, as well as public spaces or rights-of-way, including streets and roadways.

DarkSky Approved (Pedestrian Comfort Luminaire):

Pedestrian Comfort luminaires are commercial luminaires with reduced lumen output and more stringent high-angle light restrictions that create a more comfortable experience for pedestrians.

DarkSky Approved (Sea Turtle Sensitive Luminaire):

Sea Turtle Sensitive luminaires include shielding and color spectra tuned to protect specific species habitats (e.g. Sea Turtle Sensitive luminaires).

DLC Listed:

This product family is listed with the DesignLights Consortium (DLC). Individual SKUs within this family may carry either a DLC Standard or DLC Premium qualification. Please refer to the individual product specification sheet or the DLC Qualified Products List (QPL) at designlights.org to confirm the qualification status of a specific SKU prior to specification or purchase.

LUNA:

This product has received the Design Lights Consortium's LUNA listing.
LUNA Product Code: S-ML7NFN

Performance

Lifespan:

50,000-Hour LED lifespan based on IESIm-80 results and TM-21 calculations

Electrical

Driver:

Constant Current, Class 1, Class P, 120-277V; 50/60 Hz; 120V: 1.36A, 208V: 0.79A, 240V: 0.68A, 277V: 0.62A

Dimming Driver:

Driver includes dimming control wiring for 0-10V dimming systems. Requires separate 0-10V DC dimming circuit. Dims down to 10%.

Surge Protection:

L-L: 6 kV; L/N-G: 10 kV

Photocell:

Integrated photocell included with on/off switch

Optical

IES Classification:

The Type III distribution is ideal for roadway, general parking and other area lighting applications where a larger pool of lighting is required. It is intended to be located near the side of the area, allowing the light to project outward and fill the area.

BUG Rating:

B2 U0 G2

LED Characteristics

LEDs:

Long-life, high-efficiency, surface-mount LEDs

Color Uniformity:

RAB's range of Correlated Color Temperature follows the guidelines of the American National Standard for Specifications for the Chromaticity of Solid State Lighting (SSL) Products, ANSI C78.377-2017.

Technical Specifications (continued)

Construction

Cold Weather Starting:

The minimum starting temperature is -40°F (-40°C)

Maximum Ambient Temperature:

Suitable for use in up to 104°F (40°C)

Lens:

Clear polycarbonate lens

Housing:

Die-cast aluminum housing, lens frame and mounting arm

Effective Projected Area (EPA):

EPA = 0.5

Vibration Rating:

2G

Slipfitter Tilt:

The fixture can be rotated from 0-125° in 5° increments

Finish:

Formulated for high durability and long-lasting color

Green Technology:

Includes recycled plastic and RoHS-compliant components.

Installation

Mounting:

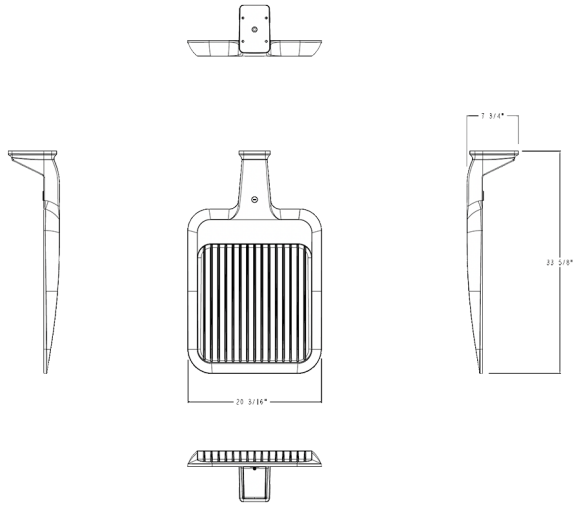
Wall mount

Other

5-Year Limited Warranty:

The RAB 5-year, limited warranty covers light output, driver performance and paint finish. RAB's warranty is subject to all terms and conditions found at rablighting.com/warranty.

Dimensions



Features

- Wildlife-friendly amber light
- 50,000-hour LED Life
- 0-10V dimming standard
- IP65 rating protects against dust and water
- 5-Year, limited warranty

Ordering Matrix

Family	Distribution	Size/Wattage	Mounting	Wavelength	Finish	Driver
A34	T3	L	WM	YA		
	T3 = type III	S = Small, 50W M = Medium, 100W L = Large, 150W	Blank = Universal Pole Mount SF = Slipfitter WM = Wall Mount	YA = Amber Wavelength 596 nm	Blank = Bronze W = White	Blank = 120-277V, 0-10V Dimming

¹ 480V available on M, L, and XL models only.