



Color: Bronze

Weight: 0.0 lbs

Project:

Type:

Prepared By:

Date:

Driver Info

Type	Constant Current
120V	N/A
208V	N/A
240V	N/A
277V	N/A
Input Watts	146.1-243.6W

LED Info

Watts	250/200/150W
Color Temp	3000/4000/5000K
Color Accuracy	82-84 CRI
L70 Lifespan	100,000 Hours
Lumens	24,410-40,574 lm
Efficacy	153.3-178 lm/W

Technical Specifications

Field Adjustability

Field Adjustable:

Field Adjustable Light Output:
250W/200W/150W (factory default 200W)
Color temperature selectable by 3000K, 4000K and 5000K (factory default 4000K)

Compliance

UL Listed:

Suitable for wet locations

IESNA LM-79 & LM-80 Testing:

RAB LED luminaires and LED components have been tested by an independent laboratory in accordance with IESNA LM-79 and LM-80.

IP Rating:

Ingress protection rating of IP65 for dust and water

DLC Listed:

This product family is listed with the DesignLights Consortium (DLC). Individual SKUs within this family may carry either a DLC Standard or DLC Premium qualification. Please refer to the individual product specification sheet or the DLC Qualified Products List (QPL) at designlights.org to confirm the qualification status of a specific SKU prior to specification or purchase.

Performance

Lifespan:

100,000-Hour LED lifespan based on IESlm-80 results and TM-21 calculations

Wattage Equivalency:

250W: Replaces up to 1,000W Metal Halide (MH) or 600W High Pressure Sodium (HPS)
200W: Replaces up to 750W Metal Halide (MH) or 600W High Pressure Sodium (HPS)
150W: Replaces up to 750W Metal Halide (MH) or 400W High Pressure Sodium (HPS)

Electrical

Driver:

250W: Constant Current, Class 1, Class P, 480V, 50/60 Hz, 120V: 480V: 0.53A
200W: Constant Current, Class 1, Class P, 480V, 50/60 Hz, 120V: 480V: 0.43A
150W: Constant Current, Class 1, Class P, 480V, 50/60 Hz, 120V: 480V: 0.34A

Dimming Driver:

Driver includes dimming control wiring for 0-10V dimming systems. Requires separate 0-10V DC dimming circuit. Dims down to 10%.

Surge Protection:

L-L: 6 kV; L/N-G: 10 kV
10 kV Surge suppressor in addition to surge built into the driver.

Photocell:

Integrated photocell included with on/off switch

Optical

IES Classification:

The Type III distribution is ideal for roadway, general parking and other area lighting applications where a larger pool of lighting is required. It is intended to be located near the side of the area, allowing the light to project outward and fill the area.

BUG Rating:

250W: B4 U0 G4
200W: B3 U0 G3
150W: B3 U0 G3

LED Characteristics

LEDs:

Long-life, high-efficiency, surface-mount LEDs

Color Uniformity:

RAB's range of Correlated Color Temperature follows the guidelines of the American National Standard for Specifications for the Chromaticity of Solid State Lighting (SSL) Products, ANSI C78.377-2017.

Construction

Cold Weather Starting:

The minimum starting temperature is -40°F (-40°C)

Technical Specifications (continued)

Maximum Ambient Temperature:

Suitable for use in up to 104°F (40°C)

Lens:

Clear polycarbonate lens

Housing:

Die-cast aluminum housing, lens frame and mounting arm

Effective Projected Area (EPA):

EPA = 0.5

Vibration Rating:

2G

Finish:

Formulated for high durability and long-lasting color

Green Technology:

Includes recycled plastic and RoHS-compliant components.

Installation

Mounting:

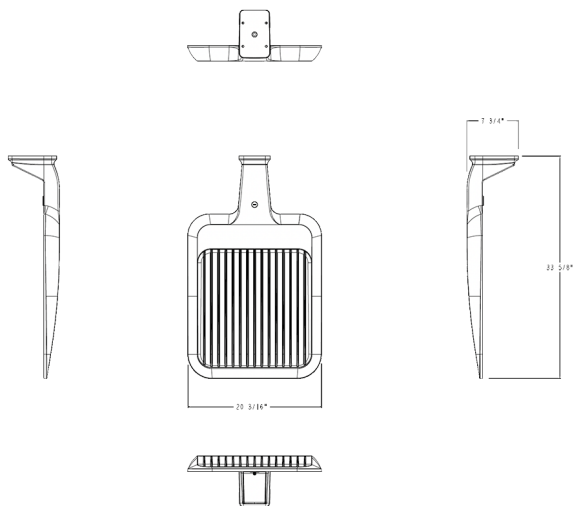
Wall mount

Other

5-Year Limited Warranty:

The RAB 5-year, limited warranty covers light output, driver performance and paint finish. RAB's warranty is subject to all terms and conditions found at rablighting.com/warranty.

Dimensions



Features

- 100,000-hour LED Life
- 0-10V dimming standard
- IP65 rating protects against dust and water
- 5-Year, limited warranty

Ordering Matrix

Family	Distribution	Size/Wattage	Mounting	Color Temp	Finish	Driver	Options
A34	T3	L	WM			/480	
T4 = Type IV T5 = Type V T3 = Type III		S = Small 100/80/50W M = Medium 150/125/100W L = Large 250/200/150W XL = Extra Large 340/270/220W	Blank = Universal Pole Mount SF = Slipfitter Mount WM = Wall Mount	Blank = 3000/4000/5000K CCT Adjustable	Blank = Bronze W = White	Blank = 120-277V, 0-10V Dimming /480 = 480V, 0-10V Dimming	Blank = No Option /PIR = Passive Infrared Occupancy Sensor /MVS = Microwave Motion Sensor /LCBS = Lightcloud Blue w/PIR Sensor /LCBS/MVS = Lightcloud Blue w/MVS Sensor

¹ 480V available on M, L, and XL models only.