



|                     |              |
|---------------------|--------------|
| <b>Project:</b>     | <b>Type:</b> |
| <b>Prepared By:</b> | <b>Date:</b> |

| Driver Info |                  | LED Info       |              |
|-------------|------------------|----------------|--------------|
| Type        | Constant Current | Watts          | 50W          |
| 120V        | 0.43A            | Color Temp     | Amber        |
| 208V        | 0.25A            | Color Accuracy | N/A CRI      |
| 240V        | 0.22A            | L70 Lifespan   | 50,000 Hours |
| 277V        | 0.21A            | Lumens         | 2,814 lm     |
| Input Watts | 51.1W            | Efficacy       | 55.1         |

## Technical Specifications

### Compliance

#### UL Listed:

Suitable for wet locations

#### IESNA LM-79 & LM-80 Testing:

RAB LED luminaires and LED components have been tested by an independent laboratory in accordance with IESNA LM-79 and LM-80.

#### IP Rating:

Ingress protection rating of IP65 for dust and water

#### DarkSky Approved (Commercial Luminaire):

Commercial Luminaires are outdoor luminaires that are used on properties of commercial or industrial businesses and places with high traffic, such as schools, hotels, and government buildings, as well as public spaces or rights-of-way, including streets and roadways.

#### DarkSky Approved (Pedestrian Comfort Luminaire):

Pedestrian Comfort Luminaires are commercial luminaires with reduced lumen output and more stringent high-angle light restrictions that create a more comfortable experience for pedestrians.

#### DarkSky Approved (Sea Turtle Sensitive Luminaire):

Sea Turtle Sensitive Luminaires include shielding and color spectra tuned to protect specific species habitats (e.g. Sea Turtle Sensitive Luminaires).

#### Trade Agreements Act Compliant:

This product is a product of Cambodia and a "designated country" end product that complies with the Trade Agreements Act

#### DLC Listed:

This product family is listed with the DesignLights Consortium (DLC). Individual SKUs within this family may carry either a DLC Standard or DLC Premium qualification. Please refer to the individual product specification sheet or the DLC Qualified Products List (QPL) at [designlights.org](http://designlights.org) to confirm the qualification status of a specific SKU prior to specification or purchase.

#### LUNA:

This product has received the Design Lights Consortium's LUNA listing. LUNA Product Code: S-KKJ436

### Performance

#### Lifespan:

50,000-Hour LED lifespan based on IESlm-80 results and TM-21 calculations

### Electrical

#### Driver:

Constant Current, Class 1, Class P, 120-277V; 50/60 Hz; 120V: 0.43A, 208V: 0.25A, 240V: 0.22A, 277V: 0.21A

#### Dimming Driver:

Driver includes dimming control wiring for 0-10V dimming systems. Requires separate 0-10V DC dimming circuit. Dims down to 10%.

#### Surge Protection:

L-L: 4 kV; L/N-G: 6 kV

#### Photocell:

Integrated photocell included with on/off switch

### Optical

#### IES Classification:

The Type III distribution is ideal for roadway, general parking and other area lighting applications where a larger pool of lighting is required. It is intended to be located near the side of the area, allowing the light to project outward and fill the area.

#### BUG Rating:

B1 U0 G1

### LED Characteristics

#### LEDs:

Long-life, high-efficiency, surface-mount LEDs

## Technical Specifications (continued)

### Color Uniformity:

RAB's range of Correlated Color Temperature follows the guidelines of the American National Standard for Specifications for the Chromaticity of Solid State Lighting (SSL) Products, ANSI C78.377-2017.

---

### Construction

#### Cold Weather Starting:

The minimum starting temperature is -40°F (-40°C)

#### Maximum Ambient Temperature:

Suitable for use in up to 104°F (40°C)

#### Lens:

Clear polycarbonate lens

#### Housing:

Die-cast aluminum housing, lens frame and mounting arm

#### Effective Projected Area (EPA):

EPA = 0.2

#### Vibration Rating:

3G

#### Finish:

Formulated for high durability and long-lasting color

#### Green Technology:

Includes recycled plastic and RoHS-compliant components.

---

### Installation

#### Mounting:

Universal mounting arm compatible for hole spacing patterns from 1" to 5 1/2" center to center. Round Pole adapter plate included as a standard. Easy slide and lock to mount fixture with ease. Round pole diameter must be >4" to mount fixtures at 90° orientation.

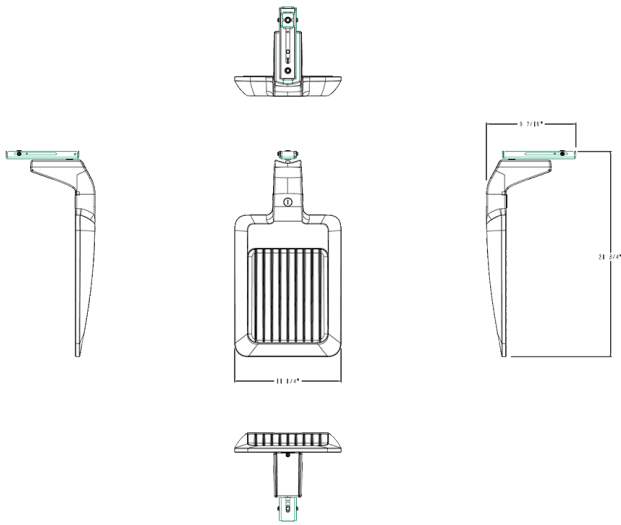
---

### Other

#### 5-Year Limited Warranty:

The RAB 5-year, limited warranty covers light output, driver performance and paint finish. RAB's warranty is subject to all terms and conditions found at [rablighting.com/warranty](http://rablighting.com/warranty).

## Dimensions



## Features

- Wildlife-friendly amber light
- 50,000-hour LED Life
- 0-10V dimming standard
- IP65 rating protects against dust and water
- 5-Year, limited warranty

## Ordering Matrix

| Family | Distribution  | Size/Wattage  | Mounting   | Wavelength                   | Finish                      | Driver                          |
|--------|---------------|---|--|------------------------------|-----------------------------|---------------------------------|
| A34    | T3            | S   |  | YA                           | W                           |                                 |
|        | T3 = type III | S = Small, 50W<br>M = Medium, 100W<br>L = Large, 150W | Blank = Universal Pole Mount<br>SF = Slipfitter<br>WM = Wall Mount | YA = Amber Wavelength 596 nm | Blank = Bronze<br>W = White | Blank = 120-277V, 0-10V Dimming |

<sup>1</sup> 480V available on M, L, and XL models only.