



Color: Bronze

Weight: 0.0 lbs

<b>Project:</b>	<b>Type:</b>
<b>Prepared By:</b>	<b>Date:</b>

Driver Info		LED Info	
Type	Constant Current	Watts	340/270/220W
120V	2.87A/2.33A/1.90A	Color Temp	3000/4000/5000K
208V	1.64A/1.30A/1.06A	Color Accuracy	81-84 CRI
240V	1.42A/1.12A/0.92A	L70 Lifespan	100,000 Hours
277V	1.25A/1.04A/0.87A	Lumens	34,476-51,563 lm
Input Watts	216.2-343.3W	Efficacy	139.8-168.1 lm/W

## Technical Specifications

### Field Adjustability

#### Field Adjustable:

Field Adjustable Light Output:  
340W/270W/220W (factory default 270W)  
Color temperature selectable by 3000K, 4000K and 5000K (factory default 4000K)

### Compliance

#### UL Listed:

Suitable for wet locations

#### IESNA LM-79 & LM-80 Testing:

RAB LED luminaires and LED components have been tested by an independent laboratory in accordance with IESNA LM-79 and LM-80.

#### IP Rating:

Ingress protection rating of IP65 for dust and water

#### DLC Listed:

This product family is listed with the DesignLights Consortium (DLC). Individual SKUs within this family may carry either a DLC Standard or DLC Premium qualification. Please refer to the individual product specification sheet or the DLC Qualified Products List (QPL) at [designlights.org](http://designlights.org) to confirm the qualification status of a specific SKU prior to specification or purchase.

### Performance

#### Lifespan:

100,000-Hour LED lifespan based on IESIm-80 results and TM-21 calculations

#### Wattage Equivalency:

340W: Replaces up to 1,000W Metal Halide (MH) or 1,000W High Pressure Sodium (HPS)  
270W: Replaces up to 1,000W Metal Halide (MH) or 750W High Pressure Sodium (HPS)  
220W: Replaces up to 750W Metal Halide (MH) or 600W High Pressure Sodium (HPS)

### Electrical

#### Driver:

340W: Constant Current, Class 1, Class P, 120-277V, 50/60 Hz, 120V: 2.87A, 208V: 1.64A, 240V: 1.42A, 277V: 1.25A  
270W: Constant Current, Class 1, Class P, 120-277V, 50/60 Hz, 120V: 2.33A, 208V: 1.30A, 240V: 1.12A, 277V: 1.04A  
220W: Constant Current, Class 1, Class P, 120-277V, 50/60 Hz, 120V: 1.90A, 208V: 1.06A, 240V: 0.92A, 277V: 0.87A

#### Dimming Driver:

Driver includes dimming control wiring for 0-10V dimming systems. Requires separate 0-10V DC dimming circuit. Dims down to 10%.

### Surge Protection:

L-L: 6 kV; L/N-G: 10 kV  
10 kV Surge suppressor in addition to surge built into the driver.

### Photocell:

Integrated photocell included with on/off switch

### Optical

#### IES Classification:

The Type III distribution is ideal for roadway, general parking and other area lighting applications where a larger pool of lighting is required. It is intended to be located near the side of the area, allowing the light to project outward and fill the area.

### BUG Rating:

340W: B4 U0 G4  
270W: B4 U0 G4  
220W: B4 U0 G3

### LED Characteristics

#### LEDs:

Long-life, high-efficiency, surface-mount LEDs

### Color Uniformity:

RAB's range of Correlated Color Temperature follows the guidelines of the American National Standard for Specifications for the Chromaticity of Solid State Lighting (SSL) Products, ANSI C78.377-2017.

## Technical Specifications (continued)

### Construction

#### Cold Weather Starting:

The minimum starting temperature is -40°F (-40°C)

#### Maximum Ambient Temperature:

Suitable for use in up to 104°F (40°C)

#### Lens:

Clear polycarbonate lens

#### Housing:

Die-cast aluminum housing, lens frame and mounting arm

#### Effective Projected Area (EPA):

EPA = 0.5

#### Vibration Rating:

2G

#### Finish:

Formulated for high durability and long-lasting color

#### Green Technology:

Includes recycled plastic and RoHS-compliant components.

### Installation

#### Mounting:

Wall mount

### Sensor Settings

#### Operating Voltage:

DC Input: 10.5-15V

Current > 50mA

#### Operating Temperature:

Ta: -31° F (-35° C)\* ~ +122° F(+50° C)

#### Sensor Warranty:

5-year sensor warranty

#### Sensitivity:

100%

#### Standby Period:

0s/10s/30s/1min/5min/10min/30min/60min/+∞

#### Daylight:

2Lux/10Lux/30Lux/50Lux/80Lux/120Lux/Disable

#### Hold Time:

20 minutes

#### Standby Dimming:

10%/20%/30%/50%

#### Detection Angle:

30° to 150° without glass cover

#### Detection Distance:

Radius 9.84-22.96 ft(3-7m)

#### Mounting Height:

Max 49 ft.(15m)

#### Remote Control Accessory:

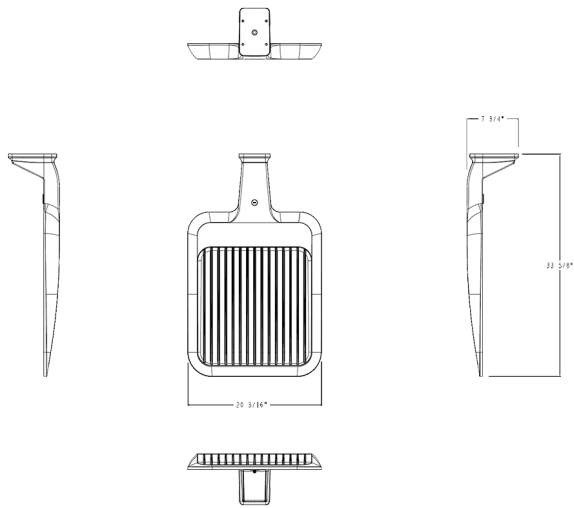
Adjust settings using remote control (catalog# MSR1). Only available with 0-10V dimming driver options. [Remote control available here.](#)

### Other

#### 5-Year Limited Warranty:

The RAB 5-year, limited warranty covers light output, driver performance and paint finish. RAB's warranty is subject to all terms and conditions found at [rablighting.com/warranty](http://rablighting.com/warranty).

## Dimensions



## Features

- 100,000-hour LED Life
- 0-10V dimming standard
- IP65 rating protects against dust and water
- 5-Year, limited warranty

## Ordering Matrix

Family	Distribution	Size/Wattage	Mounting	Color Temp	Finish	Driver	Options
A34	T3	XL	WM				/MVS
T4 = Type IV T5 = Type V T3 = Type III	S = Small 100/80/50W M = Medium 150/125/100W L = Large 250/200/150W XL = Extra Large 340/270/220W	Blank = Universal Pole Mount SF = Slipfitter Mount WM = Wall Mount	Blank = 3000/4000/5000K CCT Adjustable	Blank = Bronze W = White	Blank = 120-277V, 0-10V Dimming /480 = 480V, 0-10V Dimming	Blank = No Option /PIR = Passive Infrared Occupancy Sensor /MVS = Microwave Motion Sensor /LCBS = Lightcloud Blue w/PIR Sensor /LCBS/MVS = Lightcloud Blue w/MVS Sensor	

<sup>1</sup> 480V available on M, L, and XL models only.