



Project:	Type:
Prepared By:	Date:

Driver Info		LED Info	
Type	Constant Current	Watts	150/125/100W
120V	1.26A/1.00A/0.83A	Color Temp	3000/4000/5000K
208V	0.80A/0.60A/0.60A	Color Accuracy	82-84 CRI
240V	0.70A/0.53A/0.50A	L70 Lifespan	100,000 Hours
277V	0.59A/0.46A/0.39A	Lumens	15,927-24,630 lm
Input Watts	94.8-151.1W	Efficacy	142.7-179.9 lm/W

Technical Specifications

Field Adjustability

Field Adjustable:

Field Adjustable Light Output:
150W/125W/100W (factory default 125W)
Color temperature selectable by 3000K, 4000K and 5000K (factory default 4000K)

Compliance

UL Listed:

Suitable for wet locations

IESNA LM-79 & LM-80 Testing:

RAB LED luminaires and LED components have been tested by an independent laboratory in accordance with IESNA LM-79 and LM-80.

IP Rating:

Ingress protection rating of IP65 for dust and water

DLC Listed:

This product family is listed with the DesignLights Consortium (DLC). Individual SKUs within this family may carry either a DLC Standard or DLC Premium qualification. Please refer to the individual product specification sheet or the DLC Qualified Products List (QPL) at designlights.org to confirm the qualification status of a specific SKU prior to specification or purchase.

Performance

Lifespan:

100,000-Hour LED lifespan based on IESlm-80 results and TM-21 calculations

Wattage Equivalency:

150W: Replaces up to 750W Metal Halide (MH) or 400W High Pressure Sodium (HPS)
125W: Replaces up to 400W Metal Halide (MH) or 400W High Pressure Sodium (HPS)
100W: Replaces up to 400W Metal Halide (MH) or 310W High Pressure Sodium (HPS)

Electrical

Driver:

150W: Constant Current, Class 1, Class P, 120-277V, 50/60 Hz, 120V: 1.26A, 208V: 0.80A, 240V: 0.70A, 277V: 0.59A
125W: Constant Current, Class 1, Class P, 120-277V, 50/60 Hz, 120V: 1.00A, 208V: 0.60A, 240V: 0.53A, 277V: 0.46A
100W: Constant Current, Class 1, Class P, 120-277V, 50/60 Hz, 120V: 0.83A, 208V: 0.60A, 240V: 0.50A, 277V: 0.39A

Dimming Driver:

Driver includes dimming control wiring for 0-10V dimming systems. Requires separate 0-10V DC dimming circuit. Dims down to 10%.

Surge Protection:

L-L: 6 kV; L/N-G: 6 kV

Photocell:

Integrated photocell included with on/off switch

Optical

IES Classification:

The Type IV distribution (also known as a Forward Throw) is especially suited for mounting on the sides of buildings and walls, and for illuminating the perimeter of parking areas. It produces a semicircular distribution with essentially the same candlepower at lateral angles from 90° to 270°.

BUG Rating:

150W: B3 U0 G3
125W: B3 U0 G3
100W: B3 U0 G2

LED Characteristics

LEDs:

Long-life, high-efficiency, surface-mount LEDs

Color Uniformity:

RAB's range of Correlated Color Temperature follows the guidelines of the American National Standard for Specifications for the Chromaticity of Solid State Lighting (SSL) Products, ANSI C78.377-2017.

Technical Specifications (continued)

Construction

Cold Weather Starting:

The minimum starting temperature is -40°F (-40°C)

Maximum Ambient Temperature:

Suitable for use in up to 104°F (40°C)

Lens:

Clear polycarbonate lens

Housing:

Die-cast aluminum housing, lens frame and mounting arm

Effective Projected Area (EPA):

EPA = 0.3

Vibration Rating:

3G

Finish:

Formulated for high durability and long-lasting color

Green Technology:

Includes recycled plastic and RoHS-compliant components.

Installation

Mounting:

Wall mount

Sensor Settings

Operating Voltage:

DC Input: 10.5-15V

Current > 50mA

Operating Temperature:

Ta: -31° F (-35° C)* ~ +122° F (+50° C)

Sensor Warranty:

5-year sensor warranty

Sensitivity:

100%

Standby Period:

0s/10s/30s/1min/5min/10min/30min/60min/+∞

Daylight:

2Lux/10Lux/30Lux/50Lux/80Lux/120Lux/Disable

Hold Time:

20 minutes

Standby Dimming:

10%/20%/30%/50%

Detection Angle:

30° to 150° without glass cover

Detection Distance:

Radius 9.84-22.96 ft(3-7m)

Mounting Height:

Max 49 ft.(15m)

Remote Control Accessory:

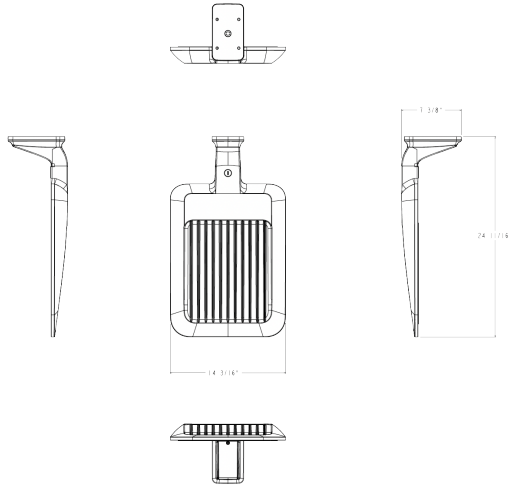
Adjust settings using remote control (catalog# MSR1). Only available with 0-10V dimming driver options. [Remote control available here.](#)

Other

5-Year Limited Warranty:

The RAB 5-year, limited warranty covers light output, driver performance and paint finish. RAB's warranty is subject to all terms and conditions found at rablighting.com/warranty.

Dimensions



Features

- 100,000-hour LED Life
- 0-10V dimming standard
- IP65 rating protects against dust and water
- 5-Year, limited warranty

Ordering Matrix

Family	Distribution	Size/Wattage	Mounting	Color Temp	Finish	Driver	Options
A34	T4	M	WM		W		/MVS
	T4 = Type IV T5 = Type V T3 = Type III	S = Small 100/80/50W M = Medium 150/125/100W L = Large 250/200/150W XL = Extra Large 340/270/220W	Blank = Universal Pole Mount SF = Slipfitter Mount WM = Wall Mount	Blank = 3000/4000/5000K CCT Adjustable	Blank = Bronze W = White	Blank = 120-277V, 0-10V Dimming /480 = 480V, 0-10V Dimming	Blank = No Option /PIR = Passive Infrared Occupancy Sensor /MVS = Microwave Motion Sensor /LCBS = Lightcloud Blue w/PIR Sensor /LCBS/MVS = Lightcloud Blue w/MVS Sensor

¹ 480V available on M, L, and XL models only.