



Color: Bronze

Weight: 0.0 lbs

Project:

Type:

Prepared By:

Date:

### Driver Info

Type	Constant Current
120V	0.83A/0.64A/0.44A
208V	0.60A/0.40A/0.25A
240V	0.50A/0.35A/0.21A
277V	0.39A/0.29A/0.19A
Input Watts	46.4-96.6W

### LED Info

Watts	100/80/50W
Color Temp	3000/4000/5000K
Color Accuracy	82-83 CRI
L70 Lifespan	100,000 Hours
Lumens	7,533-15,343 lm
Efficacy	144.9-174.4 lm/W

## Technical Specifications

### Field Adjustability

#### Field Adjustable:

Field Adjustable Light Output:  
100W/80W/50W (factory default 80W)  
Color temperature selectable by 3000K, 4000K and 5000K (factory default 4000K)

### Compliance

#### UL Listed:

Suitable for wet locations

#### IESNA LM-79 & LM-80 Testing:

RAB LED luminaires and LED components have been tested by an independent laboratory in accordance with IESNA LM-79 and LM-80.

#### IP Rating:

Ingress protection rating of IP65 for dust and water

#### DLC Listed:

This product family is listed with the DesignLights Consortium (DLC). Individual SKUs within this family may carry either a DLC Standard or DLC Premium qualification. Please refer to the individual product specification sheet or the DLC Qualified Products List (QPL) at [designlights.org](http://designlights.org) to confirm the qualification status of a specific SKU prior to specification or purchase.

### Performance

#### Lifespan:

100,000-Hour LED lifespan based on IESlm-80 results and TM-21 calculations

#### Wattage Equivalency:

100W: Replaces up to 400W Metal Halide (MH) or 310W High Pressure Sodium (HPS)  
80W: Replaces up to 350W Metal Halide (MH) or 250W High Pressure Sodium (HPS)  
50W: Replaces up to 200W Metal Halide (MH) or 150W High Pressure Sodium (HPS)

### Electrical

#### Driver:

100W: Constant Current, Class 1, Class P, 120-277V, 50/60 Hz, 120V: 0.83A, 208V: 0.60A, 240V: 0.50A, 277V: 0.39A  
80W: Constant Current, Class 1, Class P, 120-277V, 50/60 Hz, 120V: 0.64A, 208V: 0.40A, 240V: 0.35A, 277V: 0.29A  
50W: Constant Current, Class 1, Class P, 120-277V, 50/60 Hz, 120V: 0.44A, 208V: 0.25A, 240V: 0.21A, 277V: 0.19A

#### Dimming Driver:

Driver includes dimming control wiring for 0-10V dimming systems. Requires separate 0-10V DC dimming circuit. Dims down to 10%.

#### Surge Protection:

L-L: 4 kV; L/N-G: 6 kV

### Photocell:

Integrated photocell included with on/off switch

### Optical

#### IES Classification:

The Type V distribution produces light in a wide and uniform 360° pattern that is perfect for large outdoor areas such as parking lots, corporate parks and retail settings

#### BUG Rating:

100W: B4 U0 G2  
80W: B3 U0 G2  
50W: B3 U0 G1

### LED Characteristics

#### LEDs:

Long-life, high-efficiency, surface-mount LEDs

#### Color Uniformity:

RAB's range of Correlated Color Temperature follows the guidelines of the American National Standard for Specifications for the Chromaticity of Solid State Lighting (SSL) Products, ANSI C78.377-2017.

### Construction

#### Cold Weather Starting:

The minimum starting temperature is -40°F (-40°C)

**Technical Specifications (continued)****Maximum Ambient Temperature:**

Suitable for use in up to 104°F (40°C)

**Lens:**

Clear polycarbonate lens

**Housing:**

Die-cast aluminum housing, lens frame and mounting arm

**Effective Projected Area (EPA):**

EPA = 0.3

**Tilt Increment:**

The fixture can be rotated from 0-125° in 5° increments

**Vibration Rating:**

3G

**Finish:**

Formulated for high durability and long-lasting color

**Green Technology:**

Includes recycled plastic and RoHS-compliant components.

**Installation****Mounting:**

Slipfitter for 2 3/8"OD pipe

**Sensor Settings****Operating Voltage:**

DC10.5-15V &gt;30mA

**Operating Temperature:**

Ta: -31° F (-35° C)\* ~ +122° F(+50° C)

**Sensor Warranty:**

5-year sensor warranty

**Sensitivity:**

100%

**Standby Period:**

0s/10s/30s/1min/5min/10min/30min/60min/+∞

**Daylight:**

2Lux/10Lux/30Lux/50Lux/80Lux/120Lux/Disable

**Hold Time:**

20 minutes

**Standby Dimming:**

10%/20%/30%/50%

**Detection Angle:**

&lt;120° Fresnel Lens

**Detection Distance:**

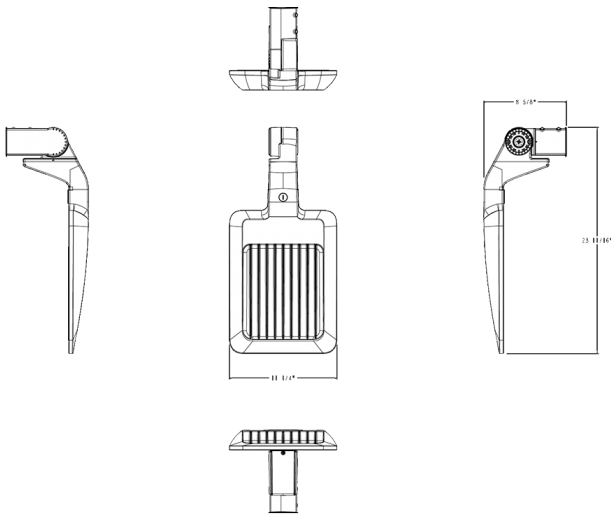
Radius 9.84-19.68 ft(3-6m)

**Mounting Height:**

Max 39.37 ft.(12m)

**Remote Control Accessory:**Adjust settings using remote control (catalog# MSR1). Only available with 0-10V dimming driver options. [Remote control available here.](#)**Other****5-Year Limited Warranty:**The RAB 5-year, limited warranty covers light output, driver performance and paint finish. RAB's warranty is subject to all terms and conditions found at [rablighting.com/warranty](http://rablighting.com/warranty).

## Dimensions



## Features

- 100,000-hour LED Life
- 0-10V dimming standard
- IP65 rating protects against dust and water
- 5-Year, limited warranty

## Ordering Matrix

Family	Distribution	Size/Wattage	Mounting	Color Temp	Finish	Driver	Options
A34	T5	S	SF				/PIR
T4 = Type IV T5 = Type V T3 = Type III	S = Small 100/80/50W M = Medium 150/125/100W L = Large 250/200/150W XL = Extra Large 340/270/220W	Blank = Universal Pole Mount SF = Slipfitter Mount WM = Wall Mount	Blank = 3000/4000/5000K CCT Adjustable	Blank = Bronze W = White	Blank = 120-277V, 0-10V Dimming /480 = 480V, 0-10V Dimming	Blank = No Option /PIR = Passive Infrared Occupancy Sensor /MVS = Microwave Motion Sensor /LCBS = Lightcloud Blue w/PIR Sensor /LCBS/MVS = Lightcloud Blue w/MVS Sensor	

<sup>1</sup> 480V available on M, L, and XL models only.