



<b>Project:</b>	<b>Type:</b>
<b>Prepared By:</b>	<b>Date:</b>

Driver Info		LED Info	
Type	Constant Current	Watts	340/270/220W
120V	N/A	Color Temp	3000/4000/5000K
208V	N/A	Color Accuracy	81-84 CRI
240V	N/A	L70 Lifespan	100,000 Hours
277V	N/A	Lumens	36,797-55,086 lm
Input Watts	214-329.3W	Efficacy	155.4-181.4 lm/W

## Technical Specifications

### Field Adjustability

#### Field Adjustable:

Field Adjustable Light Output:  
340W/270W/220W (factory default 270W)  
Color temperature selectable by 3000K, 4000K and 5000K (factory default 4000K)

### Compliance

#### UL Listed:

Suitable for wet locations

#### IESNA LM-79 & LM-80 Testing:

RAB LED luminaires and LED components have been tested by an independent laboratory in accordance with IESNA LM-79 and LM-80.

#### IP Rating:

Ingress protection rating of IP65 for dust and water

#### DLC Listed:

This product family is listed with the DesignLights Consortium (DLC). Individual SKUs within this family may carry either a DLC Standard or DLC Premium qualification. Please refer to the individual product specification sheet or the DLC Qualified Products List (QPL) at [designlights.org](http://designlights.org) to confirm the qualification status of a specific SKU prior to specification or purchase.

### Performance

#### Lifespan:

100,000-Hour LED lifespan based on IESlm-80 results and TM-21 calculations

#### Wattage Equivalency:

340W: Replaces up to 1,000W Metal Halide (MH) or 1,000W High Pressure Sodium (HPS)  
270W: Replaces up to 1,000W Metal Halide (MH) or 750W High Pressure Sodium (HPS)  
220W: Replaces up to 750W Metal Halide (MH) or 600W High Pressure Sodium (HPS)

### Electrical

#### Driver:

340W: Constant Current, Class 1, Class P, 480V, 50/60 Hz, 120V: 480V: 0.70A  
270W: Constant Current, Class 1, Class P, 480V, 50/60 Hz, 120V: 480V: 0.59A  
220W: Constant Current, Class 1, Class P, 480V, 50/60 Hz, 120V: 480V: 0.49A

#### Dimming Driver:

Driver includes dimming control wiring for 0-10V dimming systems. Requires separate 0-10V DC dimming circuit. Dims down to 10%.

#### Surge Protection:

L-L: 6 kV; L/N-G: 10 kV  
10 kV Surge suppressor in addition to surge built into the driver.

### Photocell:

Integrated photocell included with on/off switch

### Optical

#### IES Classification:

The Type V distribution produces light in a wide and uniform 360° pattern that is perfect for large outdoor areas such as parking lots, corporate parks and retail settings

#### BUG Rating:

340W: B5 U0 G4  
270W: B5 U0 G4  
220W: B5 U0 G4

### LED Characteristics

#### LEDs:

Long-life, high-efficiency, surface-mount LEDs

#### Color Uniformity:

RAB's range of Correlated Color Temperature follows the guidelines of the American National Standard for Specifications for the Chromaticity of Solid State Lighting (SSL) Products, ANSI C78.377-2017.

### Construction

#### Cold Weather Starting:

The minimum starting temperature is -40°F (-40°C)

## Technical Specifications (continued)

**Maximum Ambient Temperature:**

Suitable for use in up to 104°F (40°C)

**Lens:**

Clear polycarbonate lens

**Housing:**

Die-cast aluminum housing, lens frame and mounting arm

**Effective Projected Area (EPA):**

EPA = 0.5

**Vibration Rating:**

2G

**Finish:**

Formulated for high durability and long-lasting color

**Green Technology:**

Includes recycled plastic and RoHS-compliant components.

**Installation**

**Mounting:**

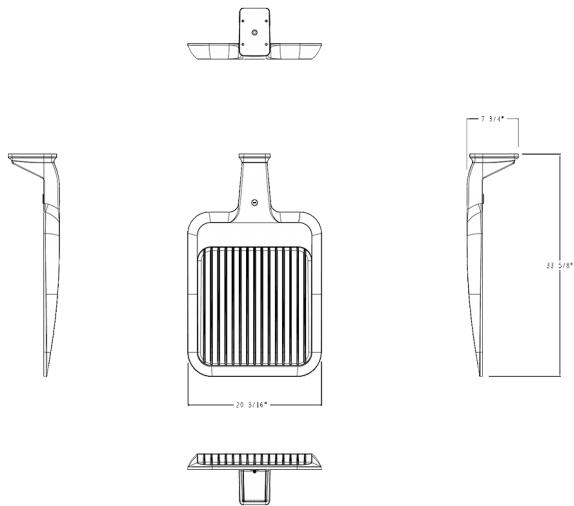
Wall mount

**Other**

**5-Year Limited Warranty:**

The RAB 5-year, limited warranty covers light output, driver performance and paint finish. RAB's warranty is subject to all terms and conditions found at [rablighting.com/warranty](http://rablighting.com/warranty).

## Dimensions



## Features

- 100,000-hour LED Life
- 0-10V dimming standard
- IP65 rating protects against dust and water
- 5-Year, limited warranty

## Ordering Matrix

Family	Distribution	Size/Wattage	Mounting	Color Temp	Finish	Driver	Options
A34	T5	XL	WM		W	/480	
<b>T4</b> = Type IV <b>T5</b> = Type V <b>T3</b> = Type III		<b>S</b> = Small 100/80/50W <b>M</b> = Medium 150/125/100W <b>L</b> = Large 250/200/150W <b>XL</b> = Extra Large 340/270/220W	<b>Blank</b> = Universal Pole Mount <b>SF</b> = Slipfitter Mount <b>WM</b> = Wall Mount	<b>Blank</b> = 3000/4000/5000K CCT Adjustable	<b>Blank</b> = Bronze <b>W</b> = White	<b>Blank</b> = 120-277V, 0-10V Dimming <b>/480</b> = 480V, 0-10V Dimming	<b>Blank</b> = No Option <b>/PIR</b> = Passive Infrared Occupancy Sensor <b>/MVS</b> = Microwave Motion Sensor <b>/LCBS</b> = Lightcloud Blue w/PIR Sensor <b>/LCBS/MVS</b> = Lightcloud Blue w/MVS Sensor

<sup>1</sup> 480V available on M, L, and XL models only.