



Color: Bronze

Weight: 0.0 lbs

Project:

Type:

Prepared By:

Date:

Driver Info

Type	Constant Current
120V	N/A
208V	N/A
240V	N/A
277V	N/A
Input Watts	214-329.3W

LED Info

Watts	340/270/220W
Color Temp	3000/4000/5000K
Color Accuracy	81-84 CRI
L70 Lifespan	100,000 Hours
Lumens	36,797-55,086 lm
Efficacy	155.4-181.4 lm/W

Technical Specifications

Field Adjustability

Field Adjustable:

Field Adjustable Light Output:
340W/270W/220W (factory default 270W)
Color temperature selectable by 3000K, 4000K and 5000K (factory default 4000K)

Compliance

UL Listed:

Suitable for wet locations

IESNA LM-79 & LM-80 Testing:

RAB LED luminaires and LED components have been tested by an independent laboratory in accordance with IESNA LM-79 and LM-80.

IP Rating:

Ingress protection rating of IP65 for dust and water

DLC Listed:

This product family is listed with the DesignLights Consortium (DLC). Individual SKUs within this family may carry either a DLC Standard or DLC Premium qualification. Please refer to the individual product specification sheet or the DLC Qualified Products List (QPL) at designlights.org to confirm the qualification status of a specific SKU prior to specification or purchase.

Performance

Lifespan:

100,000-Hour LED lifespan based on IESlm-80 results and TM-21 calculations

Wattage Equivalency:

340W: Replaces up to 1,000W Metal Halide (MH) or 1,000W High Pressure Sodium (HPS)
270W: Replaces up to 1,000W Metal Halide (MH) or 750W High Pressure Sodium (HPS)
220W: Replaces up to 750W Metal Halide (MH) or 600W High Pressure Sodium (HPS)

Electrical

Driver:

340W: Constant Current, Class 1, Class P, 480V, 50/60 Hz, 120V: 480V: 0.70A
270W: Constant Current, Class 1, Class P, 480V, 50/60 Hz, 120V: 480V: 0.59A
220W: Constant Current, Class 1, Class P, 480V, 50/60 Hz, 120V: 480V: 0.49A

Dimming Driver:

Driver includes dimming control wiring for 0-10V dimming systems. Requires separate 0-10V DC dimming circuit. Dims down to 10%.

Surge Protection:

L-L: 6 kV; L/N-G: 10 kV
10 kV Surge suppressor in addition to surge built into the driver.

Photocell:

Integrated photocell included with on/off switch

Optical

IES Classification:

The Type V distribution produces light in a wide and uniform 360° pattern that is perfect for large outdoor areas such as parking lots, corporate parks and retail settings

BUG Rating:

340W: B5 U0 G4
270W: B5 U0 G4
220W: B5 U0 G4

LED Characteristics

LEDs:

Long-life, high-efficiency, surface-mount LEDs

Color Uniformity:

RAB's range of Correlated Color Temperature follows the guidelines of the American National Standard for Specifications for the Chromaticity of Solid State Lighting (SSL) Products, ANSI C78.377-2017.

Construction

Cold Weather Starting:

The minimum starting temperature is -40°F (-40°C)

Technical Specifications (continued)**Maximum Ambient Temperature:**

Suitable for use in up to 104°F (40°C)

Lens:

Clear polycarbonate lens

Housing:

Die-cast aluminum housing, lens frame and mounting arm

Effective Projected Area (EPA):

EPA = 0.5

Vibration Rating:

2G

Finish:

Formulated for high durability and long-lasting color

Green Technology:

Includes recycled plastic and RoHS-compliant components.

Installation**Mounting:**

Wall mount

Sensor Settings**Operating Voltage:**

DC Input: 10.5-15V

Current>50mA

Operating Temperature:

Ta: -31° F (-35° C)* ~ +122° F(+50° C)

Sensor Warranty:

5-year sensor warranty

Sensitivity:

100%

Standby Period:

0s/10s/30s/1min/5min/10min/30min/60min/+∞

Daylight:

2Lux/10Lux/30Lux/50Lux/80Lux/120Lux/Disable

Hold Time:

20 minutes

Standby Dimming:

10%/20%/30%/50%

Detection Angle:

30° to 150° without glass cover

Detection Distance:

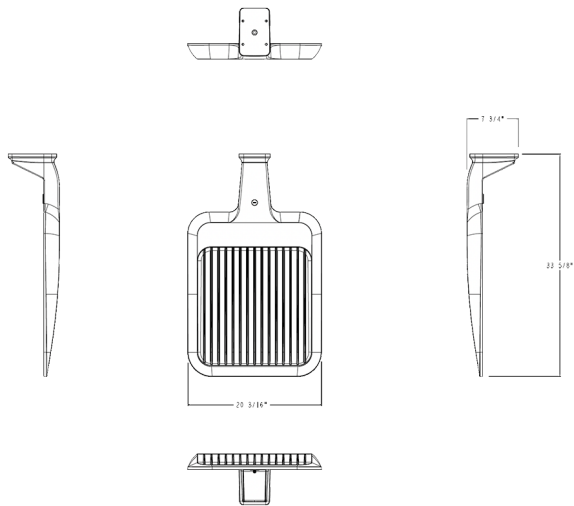
Radius 9.84-22.96 ft(3-7m)

Mounting Height:

Max 49 ft.(15m)

Remote Control Accessory:Adjust settings using remote control (catalog# MSR1). Only available with 0-10V dimming driver options. [Remote control available here.](#)**Other****5-Year Limited Warranty:**The RAB 5-year, limited warranty covers light output, driver performance and paint finish. RAB's warranty is subject to all terms and conditions found at rablighting.com/warranty.

Dimensions



Features

- 100,000-hour LED Life
- 0-10V dimming standard
- IP65 rating protects against dust and water
- 5-Year, limited warranty

Ordering Matrix

Family	Distribution	Size/Wattage	Mounting	Color Temp	Finish	Driver	Options
A34	T5	XL	WM			/480	/MVS
	T4 = Type IV T5 = Type V T3 = Type III	S = Small 100/80/50W M = Medium 150/125/100W L = Large 250/200/150W XL = Extra Large 340/270/220W	Blank = Universal Pole Mount SF = Slipfitter Mount WM = Wall Mount	Blank = 3000/4000/5000K CCT Adjustable	Blank = Bronze W = White	Blank = 120-277V, 0-10V Dimming /480 = 480V, 0-10V Dimming	Blank = No Option /PIR = Passive Infrared Occupancy Sensor /MVS = Microwave Motion Sensor /LCBS = Lightcloud Blue w/PIR Sensor /LCBS/MVS = Lightcloud Blue w/MVS Sensor

¹ 480V available on M, L, and XL models only.