



High output LED pole top area light with IES type V circular distribution. Wide and uniform 360 degree pattern ideal for large outdoor areas such as parking lots, corporate parks, and retail settings.

Color: Black

Weight: 21.8 lbs

**Project:**

**Type:**

**Prepared By:**

**Date:**

### Driver Info

Type	Constant Current
120V	0.45A
208V	0.26A
240V	0.23A
277V	0.19A
Input Watts	52.8W

### LED Info

Watts	52W
Color Temp	4000K (Neutral)
Color Accuracy	70 CRI
L70 Lifespan	100,000 Hours
Lumens	6,978 lm
Efficacy	132.2 lm/W

## Technical Specifications

### Compliance

#### UL Listed:

Suitable for wet locations

#### IESNA LM-79 & LM-80 Testing:

RAB LED luminaires and LED components have been tested by an independent laboratory in accordance with IESNA LM-79 and LM-80.

#### DLC Listed:

This product family is listed with the DesignLights Consortium (DLC). Individual SKUs within this family may carry either a DLC Standard or DLC Premium qualification. Please refer to the individual product specification sheet or the DLC Qualified Products List (QPL) at [designlights.org](http://designlights.org) to confirm the qualification status of a specific SKU prior to specification or purchase.

### LED Characteristics

#### LEDs:

4x13W high-output, long-life LEDs

#### Color Consistency:

3-step MacAdam Ellipse binning to achieve consistent fixture-to-fixture color

#### Color Stability:

LED color temperature is warranted to Shift no more than 200K in color temperature over a 5-year period

#### Color Uniformity:

RAB's range of Correlated Color Temperature follows the guidelines of the American National Standard for Specifications for the Chromaticity of Solid State Lighting (SSL) Products, ANSI C78.377-2017.

### Performance

#### Lifespan:

100,000-Hour LED lifespan based on IESIm-80 results and TM-21 calculations

#### Wattage Equivalency:

Equivalent to 150W Metal Halide

### Construction

#### Cold Weather Starting:

The minimum starting temperature is -40°F (-40°C)

#### Maximum Ambient Temperature:

Suitable for use in up to 104°F (40°C)

#### Effective Projected Area (EPA):

EPA = 1.2

#### Housing:

Precision die-cast aluminum, Type V distribution

#### Support Arms:

Extruded aluminum

#### Lens:

Clear tempered glass lens

#### Reflector:

Specular vacuum-metallized polycarbonate, Type V distribution

#### Gaskets:

High-temperature silicone

#### Finish:

Formulated for high durability and long-lasting color

#### Green Technology:

Mercury and UV free. RoHS-compliant components.

### Optical

#### BUG Rating:

B3 U0 G2

### Other

#### Patents:

The designs of the ALED5T52 are protected by patents pending in US, Canada, China, Taiwan and Mexico



## Technical Specifications (continued)

### 5-Year, No-Compromise Warranty:

RAB warrants that our LED products will be free from defects in materials and workmanship for a period of five (5) years from the date of delivery to the end user, including coverage of light output, color stability, driver performance and fixture finish. RAB's warranty is subject to all terms and conditions found at [rablighting.com/warranty](http://rablighting.com/warranty).

### Electrical

#### Drivers:

Constant Current, Class 2 with 6kV surge protection,  
120-277VAC, 50/60 Hz, 120V: 0.45A, 208V: 0.26A,  
240V: 0.19A, 277V: 0.12A

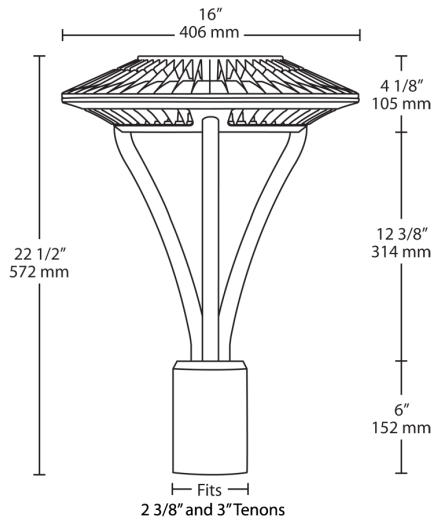
#### THD:

3.27% at 120V, 6.42% at 277V

#### Power Factor:

99.9% at 120V, 96.4% at 277V

## Dimensions



## Features

- IES type V (circular) distribution
- 100,000-hour LED lifespan
- Compatible with standard 2 3/8" and 3" tenons
- "Air-Flow" fins for maximum heat dissipation
- 5-Year, No-Compromise Warranty