



Color: Black

Weight: 2.0 lbs

<b>Project:</b>	<b>Type:</b>
<b>Prepared By:</b>	<b>Date:</b>

Driver Info		LED Info	
Type	Constant Current, Class 2	Watts	16W
120V	0.16A	Color Temp	2700/3000/3500/4000/5000K
208V	N/A	Color Accuracy	>90 CRI
240V	N/A	L70 Lifespan	50,000 Hours
277V	N/A	Lumens	1,100 lm
Input Watts	16W	Efficacy	74

**Technical Specifications**

**Performance**

**Product Type:**

Vertical Wall Sconce

**Description:**

The ALLURE vanity family is a sleek & modern fixture perfect for single or multi-family projects

**Wattage Equivalency:**

100W Incandescent

**Input Wattage:**

16W

**Lumens:**

1,100lm

**Efficacy:**

74lm/W

**L70 Lifespan:**

50,000-Hour LED lifespan based on IES LM-70 results

**Driver:**

Linear

**Electrical**

**THD:**

<50%

**Power Factor:**

>0.9

**Dimmable:**

Yes, dimmable down to 10% on compatible TRIAC/ELV dimming systems. See Dimmer Compatibility List.

**Input Voltage:**

120V

**Operating Frequency:**

60 Hz

**Input Current @ 120V (mA):**

155mA

**Operating Temperature:**

-4°F to 104°F (-20°C to 40°C)

**Flicker:**

<30%

**LED Characteristics**

**Beam Angle:**

140°

**Color Temperature:**

Field adjustable via dip switch  
2700/3000/3500/4000/5000K

**Color Accuracy (CRI):**

>90 CRI

**R9 Value:**

High color performance with R9 greater than 50

**Color Consistency:**

<7-step MacAdam Ellipse binning to achieve consistent fixture-to-fixture color

**Color Stability:**

LED color temperature is warrantied to Shift no more than 200K in color temperature over a 5-year period

**Color Uniformity:**

RAB's range of Correlated Color Temperature follows the guidelines of the American National Standard for Specifications for the Chromaticity of Solid State Lighting (SSL) Products, ANSI C78.377-2017.

**Installation**

**Mounting:**

Wall Mount in Horizontal or Vertical orientation

**Construction**

**Length:**

14"

**Shape:**

Linear Bar with Square Lens

**Technical Specifications (continued)****Finish:**

Black

**Enclosure Material:**

Polycarbonate/Metal

**Lens Finish:**

Frosted

**Lens:**

Polycarbonate light diffuser distributes light evenly and smoothly for general lighting applications

**Compliance****ETL Listed:**

This product has been tested by Intertek and found in compliance with accepted national standards.

**Environment:**

Suitable for use indoors in dry and damp environments.

**IC Rated:**

No

**Air Tight:**

No

**Energy Star Approved:**

No

**Certification Model Number:**

V022(ALR-SB)

**California Title 20 Compliant:**

No

**California Title 24 JA8 Compliant:**

Can be used to conform with the requirements of California Title 24 Part 6.

**California Energy Commission (CEC) Status:**

Lawful for Sales in California

**NSF Listed:**

No

**IESNA LM-79 & LM-80 Testing:**

RAB LED luminaires and LED components have been tested by an independent laboratory in accordance with IESNA LM-79 and LM-80.

**RoHS:**

Mercury and UV free. RoHS-compliant components.

**FCC:**

Complies with Part 15 of the FCC Rules

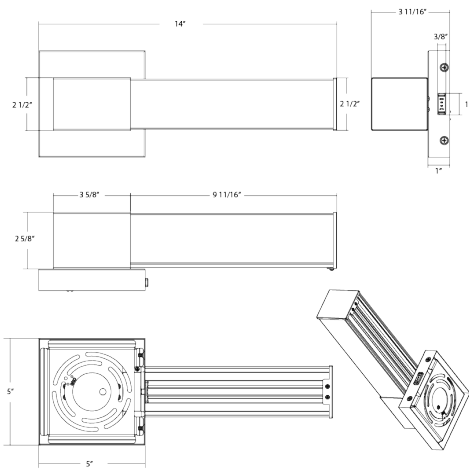
**Other****Compatible Accessories:**

None

**5-Year, No-Compromise Warranty:**

RAB warrants that our LED products will be free from defects in materials and workmanship for a period of five (5) years from the date of delivery to the end user, including coverage of light output, color stability, driver performance and fixture finish. RAB's warranty is subject to all terms and conditions found at [rablighting.com/warranty](http://rablighting.com/warranty).

**Dimensions**



**Features**

- Steel housing with a shatter-resistant polycarbonate lens
- Modern round and square forms available in black or brushed nickel
- 5CCT Selectable 2700/3000/3500/4000/5000K
- 120V driver with TRIAC/ELV dimming down to 10%
- Damp rated, Title 24 Compliant, 50,000 hrs, 5-year no compromise warranty

**Ordering Matrix**

Family	Size/Wattage	Shape	CRI/Color Temp	Driver	Finish
ALR		S			B
	Blank = 14" Sconce, 16W 18 = 18", 20W 24 = 24", 24W 36 = 36", 30W 48 = 48", 38W	R = Round S = Square	Blank = 90 CRI, 2700/3000/3500/4000/5000K CCT Adjustable	Blank = 120V, TRIAC/ELV	B = Black BN = Brushed Nickel