



## Technical Specifications (continued)

### Finish:

Our environmentally friendly polyester powder coatings are formulated for high-durability and long-lasting color

### Green Technology:

Mercury and UV free. RoHS-compliant components.

### Installation

#### Mounting:

Heavy-duty 3/4" NPS hook and 3-foot safety chain; is also 3/4" pendant mount-capable (pendant by others)

#### Recommended Mounting Height:

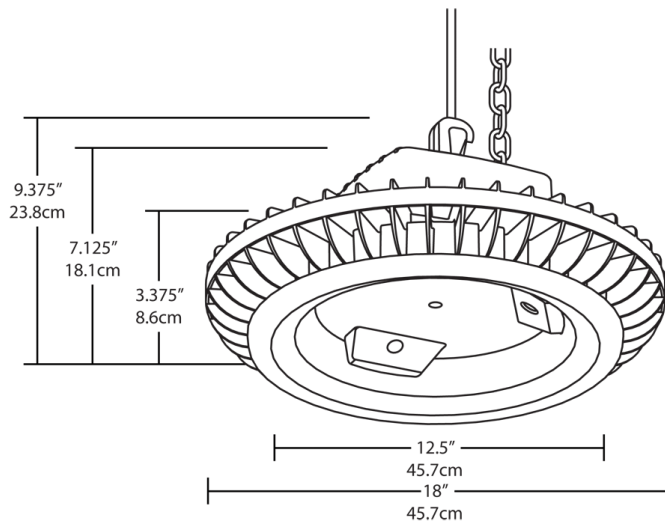
30 ft

### Other

#### 5-Year, No-Compromise Warranty:

RAB warrants that our LED products will be free from defects in materials and workmanship for a period of five (5) years from the date of delivery to the end user, including coverage of light output, color stability, driver performance and fixture finish. RAB's warranty is subject to all terms and conditions found at [rablighting.com/warranty](http://rablighting.com/warranty).

## Dimensions



## Features

High output, high efficiency LED high bay

Bi-level and dimming models available when installed with pendant by others

Polysshield and wire guard accessories available for additional protection

100,000-hour lifespan

5-Year, No-Compromise Warranty

## Ordering Matrix

Family	Wattage	Color Temp	Finish	Options	Other Options
BAYLED	104	N	W	/D10	

78 = 78W  
104 = 104W

Blank = 5100K Cool  
N = 4000K Neutral  
Y = 3000K Warm

W = White

Blank = No Option  
/BL = Bi-Level <sup>1</sup>

/D10 = 0-10V Dimming <sup>1</sup>

/D10/LC = 0-10V Dimming w/Lightcloud

Blank = Standard  
USA = BAA Compliant

<sup>1</sup> Available when mounted with a pendant by others.