



104W LED high bay fixture with over 10,000 lumens. Reduces energy consumption by up to 70%. Ideal for large spaces, including warehouses, gymnasiums, and distribution centers.

Color: White

Weight: 28.3 lbs

Project:	Type:
Prepared By:	Date:

Driver Info		LED Info	
Type	Constant Current	Watts	104W
120V	1.03A	Color Temp	4000K (Neutral)
208V	0.65A	Color Accuracy	75 CRI
240V	0.56A	L70 Lifespan	100,000 Hours
277V	0.49A	Lumens	15,049 lm
Input Watts	122W	Efficacy	123.4 lm/W

Technical Specifications

Compliance

UL Listed:

Suitable for damp locations with cord and hook.
Suitable for wet locations with 3/4" pendant stem.

IESNA LM-79 & LM-80 Testing:

RAB LED luminaires and LED components have been tested by an independent laboratory in accordance with IESNA LM-79 and LM-80.

DLC Listed:

This product family is listed with the DesignLights Consortium (DLC). Individual SKUs within this family may carry either a DLC Standard or DLC Premium qualification. Please refer to the individual product specification sheet or the DLC Qualified Products List (QPL) at designlights.org to confirm the qualification status of a specific SKU prior to specification or purchase.

LED Characteristics

LEDs:

Multi-chip, high-output, long-life LEDs

Color Consistency:

3-step MacAdam Ellipse binning to achieve consistent fixture-to-fixture color

Color Stability:

LED color temperature is warrantied to Shift no more than 200K in color temperature over a 5-year period

Color Uniformity:

RAB's range of Correlated Color Temperature follows the guidelines of the American National Standard for Specifications for the Chromaticity of Solid State Lighting (SSL) Products, ANSI C78.377-2017.

Performance

Lifespan:

100,000-Hour LED lifespan based on IESIm-80 results and TM-21 calculations

Construction

Ambient Temperature:

Suitable for use in up to 131°F (55°C)

Thermal Management:

Superior heat sinking with external Air-Flow fins

Housing:

Precision die-cast aluminum housing and door frame with 3-foot 600V power cord

Lens:

Tempered glass

Reflector:

Specular vacuum metallized polycarbonate

Gaskets:

High-temperature silicone

Finish:

Our environmentally friendly polyester powder coatings are formulated for high-durability and long-lasting color

Green Technology:

Mercury and UV free. RoHS-compliant components.

Installation

Mounting:

Heavy-duty 3/4" NPS hook and 3-foot safety chain; is also 3/4" pendant mount-capable (pendant by others)

Recommended Mounting Height:

30 ft

Other

Replacement:

Replaces 320W Metal Halide

Technical Specifications (continued)

5-Year, No-Compromise Warranty:

RAB warrants that our LED products will be free from defects in materials and workmanship for a period of five (5) years from the date of delivery to the end user, including coverage of light output, color stability, driver performance and fixture finish. RAB's warranty is subject to all terms and conditions found at rablighting.com/warranty.

Electrical

Drivers:

Constant Current, 800mA, Class 2 with 6 kV surge protection, 100-277VAC, 50/60 Hz

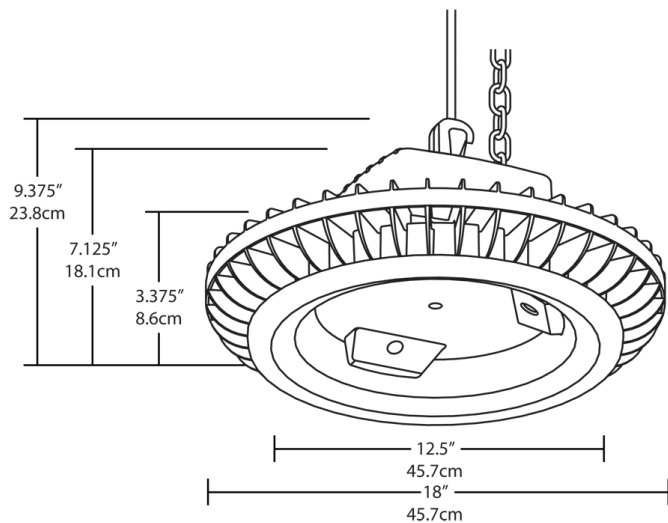
THD:

8.21% at 120V, 9.75% at 277V

Power Factor:

99.5% at 120V, 93.8% at 277V

Dimensions



Features

- High output, high efficiency LED high bay
- Bi-level and dimming models available when installed with pendant by others
- Polyshield and wire guard accessories available for additional protection
- 100,000-hour lifespan
- 5-Year, No-Compromise Warranty

Ordering Matrix

Family	Wattage	Color Temp	Finish	Options	Other Options
BAYLED	104	N	W		
	78 = 78W 104 = 104W	Blank = 5100K Cool N = 4000K Neutral Y = 3000K Warm	W = White	Blank = No Option /BL = Bi-Level /D10 = 0-10V Dimming /D10/LC = 0-10V Dimming w/Lightcloud	Blank = Standard USA = BAA Compliant