



Color: Bronze

Weight: 2.3 lbs

Project:

Type:

Prepared By:

Date:

Driver Info

Type	Constant Current
120V	0.20A
208V	0.10A
240V	0.08A
277V	0.07A
Input Watts	19.3/19.9/19.7W

LED Info

Watts	20W
Color Temp	3000/4000/5000K
Color Accuracy	80 CRI
L70 Lifespan	100,000 Hours
Lumens	2600/2921/2703 lm
Efficacy	134.7/146.9/137.2 lm/W

Technical Specifications**Field Adjustability****Field Adjustable:**

Color temperature selectable by 3000K, 4000K and 5000K

Compliance**UL Listed:**

Suitable for wet locations

IESNA LM-79 & LM-80 Testing:

RAB LED luminaires and LED components have been tested by an independent laboratory in accordance with IESNA LM-79 and LM-80.

IP Rating:

Ingress protection rating of IP65 for dust and water

DLC Listed:

This product family is listed with the DesignLights Consortium (DLC). Individual SKUs within this family may carry either a DLC Standard or DLC Premium qualification. Please refer to the individual product specification sheet or the DLC Qualified Products List (QPL) at designlights.org to confirm the qualification status of a specific SKU prior to specification or purchase.

Performance**Lifespan:**

100,000-Hour LED lifespan based on IESlm-80 results and TM-21 calculations

Wattage Equivalency:

Equivalent to 100W Metal Halide

LED Characteristics**LEDs:**

Long-life, high-efficiency, surface-mount LEDs

Color Uniformity:

RAB's range of Correlated Color Temperature follows the guidelines of the American National Standard for Specifications for the Chromaticity of Solid State Lighting (SSL) Products, ANSI C78.377-2017.

Electrical**Driver:**

Constant Current, Class 2, 120-277V, 50/60 Hz, 120V: 0.20A, 208V: 0.10A, 240V: 0.08A, 277V: 0.07A

Dimming Driver:

Driver includes dimming control wiring for 0-10V dimming systems. Requires separate 0-10V DC dimming circuit. Dims down to 10%.

Photocell:

120-277V Discreet, integrated button photocell included. Photocell is compatible with 120V-277V.

Construction**Cold Weather Starting:**

The minimum starting temperature is -40°F (-40°C)

Maximum Ambient Temperature:

Suitable for use in up to 113°F (45°C)

Housing:

Precision die-cast aluminum

Finish:

Formulated for high durability and long-lasting color

Green Technology:

Mercury and UV free. RoHS-compliant components.

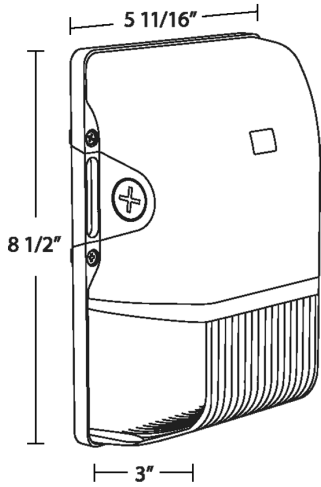
Installation**Mounting:**

Heavy duty, die-cast junction box with four (4) conduit entries (one top, two side, one back)

Other**5-Year Limited Warranty:**

The RAB 5-year, limited warranty covers light output, driver performance and paint finish. RAB's warranty is subject to all terms and conditions found at rablighting.com/warranty.

Dimensions



Features

- DLC Premium listed
- IP65 Rated
- 100,000-Hour LED lifespan
- 5-Year, limited warranty

Ordering Matrix

Family	Wattage	Color Temp	Finish	Driver	Options
BRISK17FA	20				
	20 = 20W 30 = 30W	Blank = 3000/4000/5000K CCT Adjustable	Blank = Bronze W = White	Blank = 120-277V, 0-10V Dimming	Blank = Integrated Button Photocell