

Color: Bronze

Weight: 2.0 lbs

Project:

Type:

Prepared By:

Date:

### Driver Info

|             |                  |
|-------------|------------------|
| Type        | Constant Current |
| 120V        | 0.32A            |
| 208V        | N/A              |
| 240V        | N/A              |
| 277V        | N/A              |
| Input Watts | 21.6-39.7W       |

### LED Info

|                |                 |
|----------------|-----------------|
| Watts          | 40/30/20W       |
| Color Temp     | 3000/4000/5000K |
| Color Accuracy | 82-84 CRI       |
| L70 Lifespan   | 100,000 Hours   |
| Lumens         | 2,319-4,189 lm  |
| Efficacy       | 97.5-116.3 lm/W |

## Technical Specifications

### Field Adjustability

#### Field Adjustable:

Field Adjustable Light Output:  
40W/30W/20W (factory default 40W)  
Color temperature selectable 3000K, 4000K and 5000K (factory default 4000K)

### Compliance

#### UL Listed:

Suitable for wet locations

#### IESNA LM-79 & LM-80 Testing:

RAB LED luminaires and LED components have been tested by an independent laboratory in accordance with IESNA LM-79 and LM-80.

#### IP Rating:

Ingress protection rating of IP65 for dust and water

#### Trade Agreements Act Compliant:

This product is a product of Cambodia and a "designated country" end product that complies with the Trade Agreements Act

### Electrical

#### Driver:

Constant Current, Class 1, 120V, 50/60Hz, 120V: 0.32A

#### Dimming Driver:

TRIAC compatible dimmer with dimming as low as 10%.

#### THD:

14.73% at 120V

#### Power Factor:

98.8% at 120V

#### Surge Protection:

L/N:1 kV, L/N-PE:1 kV

#### Aux Power Supply:

No

#### Dim to Off:

No

### LED Characteristics

#### LEDs:

Long-life, high-efficacy, surface-mount LEDs

### Construction

#### Cold Weather Starting:

The minimum starting temperature is -40°F (-40°C)

#### Maximum Ambient Temperature:

Suitable for use in up to 104°F (40°C)

#### Lens:

Glass

#### Housing:

Die-cast aluminum

#### Reflector:

Polyethylene Terephthalate (PET)

#### Green Technology:

Mercury and UV free. RoHS-compliant components.

#### Finish:

Formulated for high durability and long-lasting color

### Performance

#### Lifespan:

100,000-Hour LED lifespan based on IESIm-80 results and TM-21 calculations

### Optical

#### NEMA Type:

NEMA Beam Spread 6H x 6V

### Installation

#### Mounting:

Heavy-duty mounting arm with "O" ring seal and stainless steel screws

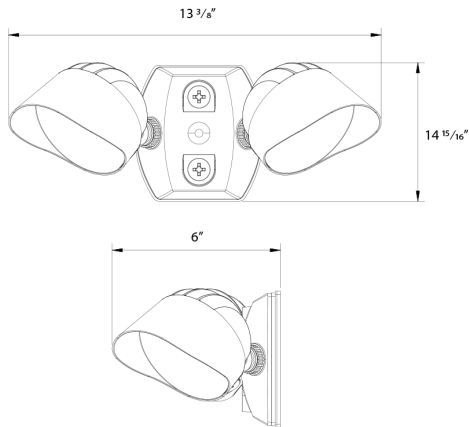
## Technical Specifications (continued)

### Other

#### 5-Year Limited Warranty:

The RAB 5-year, limited warranty covers light output, driver performance and paint finish. RAB's warranty is subject to all terms and conditions found at [rablighting.com/warranty](http://rablighting.com/warranty).

### Dimensions



### Features

- 100,000-hour LED Life
- 120V
- 5-Year, limited warranty

### Ordering Matrix

| Family | Wattage  | Color Temp                             | Finish   | Driver                      |
|--------|--|--|--|-----------------------------|
| BULLET | 2X20   |  | A  |                             |
|        | 12 = 12/9/6W<br>20 = 20/15/10W<br>2X12 = 24/18/12W<br>2X20 = 40/30/20W | Blank = 3000/4000/5000K CCT Adjustable | A = Bronze<br>B = Black<br>VG = Verde Green<br>W = White | Blank = 120V, TRIAC Dimming |