



Cylinders are a complete design solution. They are available in various sizes, mounting options, colors and beam angles, and suitable for indoor/outdoor use.

Color: Bronze

Weight: 2.7 lbs

Project:

Type:

Prepared By:

Date:

### Driver Info

Type	Constant Current
120V	0.10A
208V	0.06A
240V	0.05A
277V	0.05A
Input Watts	12W

### LED Info

Watts	10W
Color Temp	4000K (Neutral)
Color Accuracy	93 CRI
R9	67
L70 Lifespan	50,000 Hours
Lumens	755 lm
Efficacy	62.9 lm/W

## Technical Specifications

### Compliance

#### UL Listed:

Suitable for wet locations. Recommended for indoor use only.

#### IESNA LM-79 & LM-80 Testing:

RAB LED luminaires and LED components have been tested by an independent laboratory in accordance with IESNA LM-79 and LM-80.

### Electrical

#### Driver:

Constant Current, Class 2, 120-277V, 50/60 Hz, 120V: 0.10A, 208V: 0.06A, 240V: 0.05A, 277V: 0.05A

#### Dimming Driver:

0 - 10V (at 120-277V), TRIAC and ELV (at 120V only)

#### THD:

10.2% at 120V, 25.9% at 277V

#### Power Factor:

99.2% at 120V, 87.9% at 277V

### Optical

#### Optics:

20°

### Performance

#### Lifespan:

50,000-Hour LED lifespan based on IESIm-80 results and TM-21 calculations

### LED Characteristics

#### LEDs:

Long-life, high-efficacy, surface-mount LEDs

#### Color Stability:

LED color temperature is warranted to Shift no more than 200K in color temperature over a 5-year period

### Construction

#### Cold Weather Starting:

The minimum starting temperature is -4°F (-20°C)

#### Maximum Ambient Temperature:

Suitable for use in up to 104°F (40°C)

#### Lens:

TIR-Polycarbonate (Total Internal Reflection)

#### Reflector:

Vacuum-metalized polycarbonate

#### Housing:

Extruded aluminum

### Gaskets:

High-temperature silicone

### Green Technology:

Mercury and UV free. RoHS-compliant components.

### Finish:

Formulated for high durability and long-lasting color

### Installation

#### Mounting:

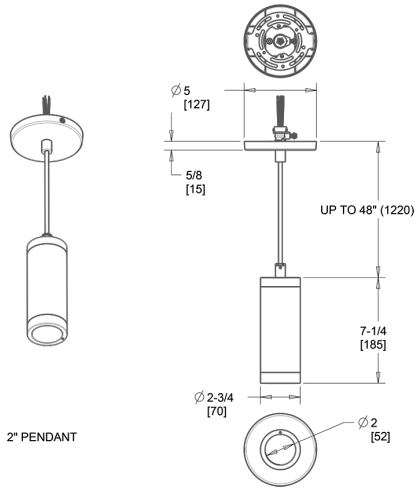
Pendant cord (48" standard, cut to length in field)

### Other

#### 5-Year, No-Compromise Warranty:

RAB warrants that our LED products will be free from defects in materials and workmanship for a period of five (5) years from the date of delivery to the end user, including coverage of light output, color stability, driver performance and fixture finish. RAB's warranty is subject to all terms and conditions found at [rablighting.com/warranty](http://rablighting.com/warranty).

**Dimensions**



**Features**

- Sleek, contemporary, architectural-grade design
- Universal dimming driver (TRIAC, ELV and 0-10V)
- 50,000-Hour LED lifespan

**Ordering Matrix**

Family	Size	Mounting	Wattage	Optic	CRI/Color Temp	Finish
CDLED	2	PC	10W	20D	940	Z
4 = 4"	<b>W</b> = Wall Direct/Indirect (Downlight/Uplight)	<b>20W</b> = 20W	<b>40D</b> = 40°	<b>950</b> = 90 CRI, 5000K	<b>W</b> = Matte White	
6 = 6"	<b>PS</b> = Pendant Stem	<b>10W</b> = 10W	<b>20D</b> = 20°	<b>940</b> = 90 CRI, 4000K	<b>K</b> = Matte Black	
2 = 2"	<b>PC</b> = Pendant Cord 48" Standard	<b>26W</b> = 26W	<b>30D</b> = 30°	<b>935</b> = 90 CRI, 3500K	<b>S</b> = Matte Silver	
	<b>S</b> = Surface (Ceiling Mount)	<b>40W</b> = 40W	<b>50D</b> = 50°	<b>930</b> = 90 CRI, 3000K	<b>Z</b> = Bronze	
	<b>WU</b> = Wall Indirect (Uplight) Only		<b>80D</b> = 80°	<b>927</b> = 90 CRI, 2700K		
	<b>WD</b> = Wall Direct (Downlight) Only		<b>WW</b> = Wall Wash			