



Cylinders are a complete design solution. They are available in various sizes, mounting options, colors and beam angles, and suitable for indoor/outdoor use.

Color: Matte silver

Weight: 4.7 lbs

Project:	Type:
Prepared By:	Date:

Driver Info		LED Info	
Type	Constant Current	Watts	10W
120V	0.10A	Color Temp	3000K (Warm)
208V	0.06A	Color Accuracy	93 CRI
240V	0.05A	R9	62
277V	0.05A	L70 Lifespan	50,000 Hours
Input Watts	11.8W	Lumens	596 lm
		Efficacy	50.5 lm/W

Technical Specifications

Compliance

UL Listed:

Suitable for wet locations

IESNA LM-79 & LM-80 Testing:

RAB LED luminaires and LED components have been tested by an independent laboratory in accordance with IESNA LM-79 and LM-80.

Electrical

Driver:

Constant Current, Class 2, 120-277V, 50/60 Hz, 120V: 0.10A, 208V: 0.06A, 240V: 0.05A, 277V: 0.05A

Dimming Driver:

0 - 10V (at 120-277V), TRIAC and ELV (at 120V only)

THD:

10.2% at 120V, 25.9% at 277V

Power Factor:

99.2% at 120V, 87.9% at 277V

Optical

Optics:

Wall Wash

Performance

Lifespan:

50,000-Hour LED lifespan based on IESIm-80 results and TM-21 calculations

LED Characteristics

LEDs:

Long-life, high-efficacy, surface-mount LEDs

Color Stability:

LED color temperature is warrantied to Shift no more than 200K in color temperature over a 5-year period

Construction

Cold Weather Starting:

The minimum starting temperature is -4°F (-20°C)

Maximum Ambient Temperature:

Suitable for use in up to 104°F (40°C)

Lens:

TIR-Polycarbonate (Total Internal Reflection)

Reflector:

Vacuum-metallized polycarbonate

Housing:

Extruded aluminum

Gaskets:

High-temperature silicone

Green Technology:

Mercury and UV free. RoHS-compliant components.

Finish:

Formulated for high durability and long-lasting color

Installation

Mounting:

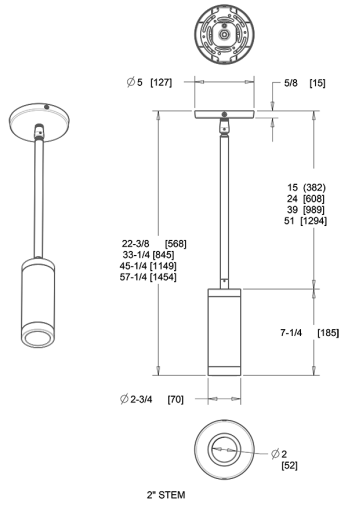
Pendant stem (comes with components to create 12", 24", 36" or 48" in field)

Other

5-Year, No-Compromise Warranty:

RAB warrants that our LED products will be free from defects in materials and workmanship for a period of five (5) years from the date of delivery to the end user, including coverage of light output, color stability, driver performance and fixture finish. RAB's warranty is subject to all terms and conditions found at rablighting.com/warranty.

Dimensions



Features

- Sleek, contemporary, architectural-grade design
- Universal dimming driver (TRIAC, ELV and 0-10V)
- 50,000-Hour LED lifespan

Ordering Matrix

Family	Size	Mounting	Wattage	Optic	CRI/Color Temp	Finish
CDLED	2	PS	10W	WW	930	S
4 = 4"	W = Wall Direct/Indirect (Downlight/Uplight)	20W = 20W	40D = 40°	950 = 90 CRI, 5000K	W = Matte White	
6 = 6"	PS = Pendant Stem	10W = 10W	20D = 20°	940 = 90 CRI, 4000K	K = Matte Black	
2 = 2"	PC = Pendant Cord 48" Standard	26W = 26W	30D = 30°	935 = 90 CRI, 3500K	S = Matte Silver	
	S = Surface (Ceiling Mount)	40W = 40W	50D = 50°	930 = 90 CRI, 3000K	Z = Bronze	
	WU = Wall Indirect (Uplight) Only		80D = 80°	927 = 90 CRI, 2700K		
	WD = Wall Direct (Downlight) Only		WW = Wall Wash			