



Cylinders are a complete design solution. They are available in various sizes, mounting options, colors and beam angles, and suitable for indoor/outdoor use.

Color: Matte silver

Weight: 4.2 lbs

Project:

Type:

Prepared By:

Date:

### Driver Info

Type	Constant Current
120V	0.18A
208V	0.11A
240V	0.10A
277V	0.09A
Input Watts	19.9W

### LED Info

Watts	20W
Color Temp	3000K (Warm)
Color Accuracy	91 CRI
R9	51
L70 Lifespan	50,000 Hours
Lumens	1,735 lm
Efficacy	87.2 lm/W

## Technical Specifications

### Compliance

#### UL Listed:

Suitable for wet locations. Recommended for indoor use only.

#### IESNA LM-79 & LM-80 Testing:

RAB LED luminaires and LED components have been tested by an independent laboratory in accordance with IESNA LM-79 and LM-80.

### Electrical

#### Driver:

Constant Current, Class 2, 120-277V, 50/60 Hz, 120V: 0.18A, 208V: 0.11A, 240V: 0.10A, 277V: 0.09A

#### Dimming Driver:

0 - 10V (at 120-277V), TRIAC and ELV (at 120V only)

#### THD:

12.1% at 120V, 21.9% at 277V

#### Power Factor:

98.5% at 120V, 88% at 277V

### Optical

#### Optics:

50°

### Performance

#### Lifespan:

50,000-Hour LED lifespan based on IESIm-80 results and TM-21 calculations

### LED Characteristics

#### LEDs:

Long-life, high-efficacy, surface-mount LEDs

#### Color Stability:

LED color temperature is warranted to Shift no more than 200K in color temperature over a 5-year period

### Construction

#### Cold Weather Starting:

The minimum starting temperature is -22°F (-30°C)

#### Maximum Ambient Temperature:

Suitable for use in up to 104°F (40°C)

#### Lens:

Solite Glass Lens and Microprismatic Diffusion Lens

#### Reflector:

Vacuum-metalized polycarbonate

#### Housing:

Extruded aluminum

### Gaskets:

High-temperature silicone

### Green Technology:

Mercury and UV free. RoHS-compliant components.

### Finish:

Formulated for high durability and long-lasting color

### Installation

#### Mounting:

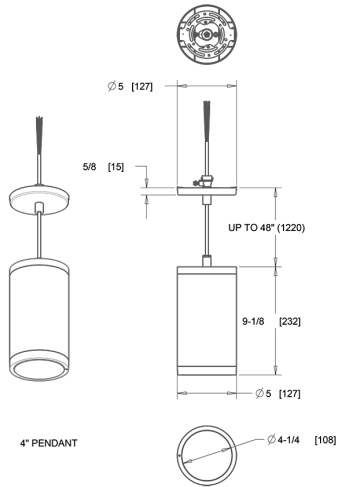
Pendant cord (48" standard, cut to length in field)

### Other

#### 5-Year, No-Compromise Warranty:

RAB warrants that our LED products will be free from defects in materials and workmanship for a period of five (5) years from the date of delivery to the end user, including coverage of light output, color stability, driver performance and fixture finish. RAB's warranty is subject to all terms and conditions found at [rablighting.com/warranty](http://rablighting.com/warranty).

## Dimensions



## Features

- Sleek, contemporary, architectural-grade design
- Universal dimming driver (TRIAC, ELV and 0-10V)
- 50,000-Hour LED lifespan

## Ordering Matrix

Family	Size	Mounting	Wattage	Optic	CRI/Color Temp	Finish
CDLED	4	PC	20W	50D	930	S
	4 = 4" 6 = 6" 2 = 2"	<b>W</b> = Wall Direct/Indirect (Downlight/Uplight) <b>PS</b> = Pendant Stem <b>PC</b> = Pendant Cord 48" Standard <b>S</b> = Surface (Ceiling Mount) <b>WU</b> = Wall Indirect (Uplight) Only <b>WD</b> = Wall Direct (Downlight) Only	<b>20W</b> = 20W <b>10W</b> = 10W <b>26W</b> = 26W <b>40W</b> = 40W	<b>40D</b> = 40° <b>20D</b> = 20° <b>30D</b> = 30° <b>50D</b> = 50° <b>80D</b> = 80° <b>WW</b> = Wall Wash	<b>950</b> = 90 CRI, 5000K <b>940</b> = 90 CRI, 4000K <b>935</b> = 90 CRI, 3500K <b>930</b> = 90 CRI, 3000K <b>927</b> = 90 CRI, 2700K	<b>W</b> = Matte White <b>K</b> = Matte Black <b>S</b> = Matte Silver <b>Z</b> = Bronze