



Cylinders are a complete design solution. They are available in various sizes, mounting options, colors and beam angles, and suitable for indoor/outdoor use.

Color: Matte silver

Weight: 4.2 lbs

<b>Project:</b>	<b>Type:</b>
<b>Prepared By:</b>	<b>Date:</b>

Driver Info		LED Info	
Type	Constant Current	Watts	20W
120V	0.18A	Color Temp	4000K (Neutral)
208V	0.11A	Color Accuracy	90 CRI
240V	0.10A	R9	52
277V	0.09A	L70 Lifespan	50,000 Hours
Input Watts	19.8W	Lumens	1,808 lm
		Efficacy	91.3 lm/W

## Technical Specifications

### Compliance

#### UL Listed:

Suitable for wet locations. Recommended for indoor use only.

#### IESNA LM-79 & LM-80 Testing:

RAB LED luminaires and LED components have been tested by an independent laboratory in accordance with IESNA LM-79 and LM-80.

### Electrical

#### Driver:

Constant Current, Class 2, 120-277V, 50/60 Hz, 120V: 0.18A, 208V: 0.11A, 240V: 0.10A, 277V: 0.09A

#### Dimming Driver:

0 - 10V (at 120-277V), TRIAC and ELV (at 120V only)

#### THD:

13.6% at 120V, 23.1% at 277V

#### Power Factor:

98.1% at 120V, 85.9% at 277V

### Optical

#### Optics:

80°

### Performance

#### Lifespan:

50,000-Hour LED lifespan based on IESIm-80 results and TM-21 calculations

### LED Characteristics

#### LEDs:

Long-life, high-efficacy, surface-mount LEDs

#### Color Stability:

LED color temperature is warranted to Shift no more than 200K in color temperature over a 5-year period

### Construction

#### Cold Weather Starting:

The minimum starting temperature is -22°F (-30°C)

#### Maximum Ambient Temperature:

Suitable for use in up to 104°F (40°C)

#### Lens:

Solite Glass Lens and Microprismatic Diffusion Lens

#### Reflector:

Vacuum-metalized polycarbonate

#### Housing:

Extruded aluminum

### Gaskets:

High-temperature silicone

### Green Technology:

Mercury and UV free. RoHS-compliant components.

### Finish:

Formulated for high durability and long-lasting color

### Installation

#### Mounting:

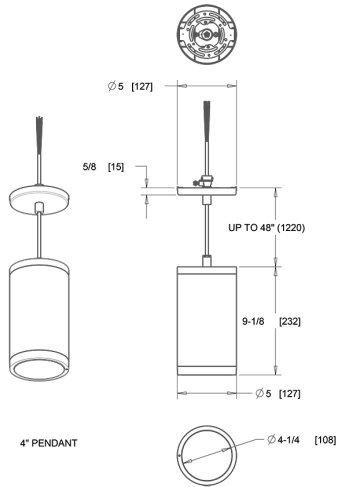
Pendant cord (48" standard, cut to length in field)

### Other

#### 5-Year, No-Compromise Warranty:

RAB warrants that our LED products will be free from defects in materials and workmanship for a period of five (5) years from the date of delivery to the end user, including coverage of light output, color stability, driver performance and fixture finish. RAB's warranty is subject to all terms and conditions found at [rablighting.com/warranty](http://rablighting.com/warranty).

**Dimensions**



**Features**

- Sleek, contemporary, architectural-grade design
- Universal dimming driver (TRIAC, ELV and 0-10V)
- 50,000-Hour LED lifespan

**Ordering Matrix**

Family	Size	Mounting	Wattage	Optic	CRI/Color Temp	Finish
CDLED	4	PC	20W	80D	940	S
	4 = 4" 6 = 6" 2 = 2"	W = Wall Direct/Indirect (Downlight/Uplight) PS = Pendant Stem PC = Pendant Cord 48" Standard S = Surface (Ceiling Mount) WU = Wall Indirect (Uplight) Only WD = Wall Direct (Downlight) Only	20W = 20W 10W = 10W 26W = 26W 40W = 40W	40D = 40° 20D = 20° 30D = 30° 50D = 50° 80D = 80° WW = Wall Wash	950 = 90 CRI, 5000K 940 = 90 CRI, 4000K 935 = 90 CRI, 3500K 930 = 90 CRI, 3000K 927 = 90 CRI, 2700K	W = Matte White K = Matte Black S = Matte Silver Z = Bronze