



Cylinders are a complete design solution. They are available in various sizes, mounting options, colors and beam angles, and suitable for indoor/outdoor use.

Color: Bronze

Weight: 6.2 lbs

Project:

Type:

Prepared By:

Date:

Driver Info

Type	Constant Current
120V	0.18A
208V	0.11A
240V	0.10A
277V	0.09A
Input Watts	19.8W

LED Info

Watts	20W
Color Temp	2700K (Residential Warm)
Color Accuracy	91 CRI
R9	51
L70 Lifespan	50,000 Hours
Lumens	1,536 lm
Efficacy	77.6 lm/W

Technical Specifications

Compliance

UL Listed:

Suitable for wet locations

IESNA LM-79 & LM-80 Testing:

RAB LED luminaires and LED components have been tested by an independent laboratory in accordance with IESNA LM-79 and LM-80.

Electrical

Driver:

Constant Current, Class 2, 120-277V, 50/60 Hz, 120V: 0.18A, 208V: 0.11A, 240V: 0.10A, 277V: 0.09A

Dimming Driver:

0 - 10V (at 120-277V), TRIAC and ELV (at 120V only)

THD:

13.5% at 120V, 22.7% at 277V

Power Factor:

98.1% at 120V, 86.1% at 277V

Optical

Optics:

80°

Performance

Lifespan:

50,000-Hour LED lifespan based on IESIm-80 results and TM-21 calculations

LED Characteristics

LEDs:

Long-life, high-efficacy, surface-mount LEDs

Color Stability:

LED color temperature is warrantied to Shift no more than 200K in color temperature over a 5-year period

Construction

Cold Weather Starting:

The minimum starting temperature is -22°F (-30°C)

Maximum Ambient Temperature:

Suitable for use in up to 104°F (40°C)

Lens:

Solite Glass Lens and Microprismatic Diffusion Lens

Reflector:

Vacuum-metalized polycarbonate

Housing:

Extruded aluminum

Gaskets:

High-temperature silicone

Green Technology:

Mercury and UV free. RoHS-compliant components.

Finish:

Formulated for high durability and long-lasting color

Installation

Mounting:

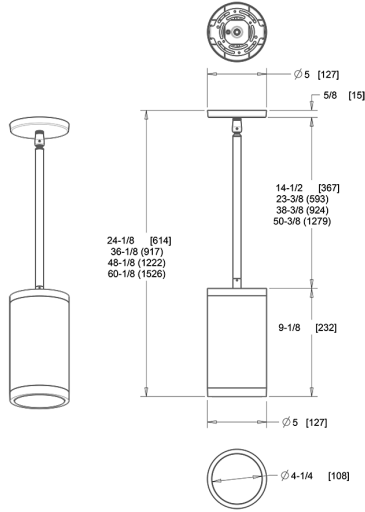
Pendant stem (comes with components to create 12", 24", 36" or 48" in field)

Other

5-Year, No-Compromise Warranty:

RAB warrants that our LED products will be free from defects in materials and workmanship for a period of five (5) years from the date of delivery to the end user, including coverage of light output, color stability, driver performance and fixture finish. RAB's warranty is subject to all terms and conditions found at rablighting.com/warranty.

Dimensions



Features

- Sleek, contemporary, architectural-grade design
- Universal dimming driver (TRIAC, ELV and 0-10V)
- 50,000-Hour LED lifespan

Ordering Matrix

Family	Size	Mounting	Wattage	Optic	CRI/Color Temp	Finish			
CDLED	4	PS	-	20W	-	80D	927	-	Z
	4 = 4"	W = Wall Direct/Indirect (Downlight/Uplight)	20W = 20W	40D = 40°	950 = 90 CRI, 5000K	W = Matte White			
	6 = 6"	PS = Pendant Stem	10W = 10W	20D = 20°	940 = 90 CRI, 4000K	K = Matte Black			
	2 = 2"	PC = Pendant Cord 48" Standard	26W = 26W	30D = 30°	935 = 90 CRI, 3500K	S = Matte Silver			
		S = Surface (Ceiling Mount)	40W = 40W	50D = 50°	930 = 90 CRI, 3000K	Z = Bronze			
		WU = Wall Indirect (Uplight) Only		80D = 80°	927 = 90 CRI, 2700K				
		WD = Wall Direct (Downlight) Only		WW = Wall Wash					