



Cylinders are a complete design solution. They are available in various sizes, mounting options, colors and beam angles, and suitable for indoor/outdoor use.

Color: Matte white

Weight: 5.8 lbs

|                     |              |
|---------------------|--------------|
| <b>Project:</b>     | <b>Type:</b> |
| <b>Prepared By:</b> | <b>Date:</b> |

| Driver Info |                  | LED Info       |              |
|-------------|------------------|----------------|--------------|
| Type        | Constant Current | Watts          | 40W          |
| 120V        | 0.30A            | Color Temp     | 3000K (Warm) |
| 208V        | 0.22A            | Color Accuracy | 91 CRI       |
| 240V        | 0.19A            | R9             | 51           |
| 277V        | 0.14A            | L70 Lifespan   | 50,000 Hours |
| Input Watts | 35W              | Lumens         | 3,390 lm     |
|             |                  | Efficacy       | 96.9 lm/W    |

## Technical Specifications

### Compliance

#### UL Listed:

Suitable for wet locations

#### IESNA LM-79 & LM-80 Testing:

RAB LED luminaires and LED components have been tested by an independent laboratory in accordance with IESNA LM-79 and LM-80.

### Electrical

#### Driver:

Constant Current, Class 2, 120-277V, 50/60 Hz, 120V: 0.30A, 208V: 0.22A, 240V: 0.19A, 277V: 0.14A

#### Dimming Driver:

0 - 10V (at 120-277V), TRIAC and ELV (at 120V only)

#### THD:

12.5% at 120V, 19.7% at 277V

#### Power Factor:

98.4% at 120V, 89.9% at 277V

### Optical

#### Optics:

50°

### Performance

#### Lifespan:

50,000-Hour LED lifespan based on IESIm-80 results and TM-21 calculations

### LED Characteristics

#### LEDs:

Long-life, high-efficacy, surface-mount LEDs

#### Color Stability:

LED color temperature is warranted to Shift no more than 200K in color temperature over a 5-year period

### Construction

#### Cold Weather Starting:

The minimum starting temperature is -22°F (-30°C)

#### Maximum Ambient Temperature:

Suitable for use in up to 104°F (40°C)

#### Lens:

Solite Glass Lens and Microprismatic Diffusion Lens

#### Reflector:

Vacuum-metallized polycarbonate

#### Housing:

Extruded aluminum

### Gaskets:

High-temperature silicone

### Green Technology:

Mercury and UV free. RoHS-compliant components.

### Finish:

Formulated for high durability and long-lasting color

### Installation

#### Mounting:

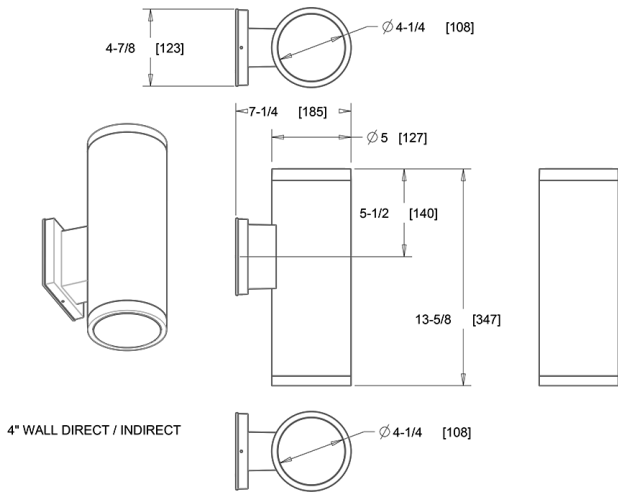
Wall direct/indirect light

### Other

#### 5-Year, No-Compromise Warranty:

RAB warrants that our LED products will be free from defects in materials and workmanship for a period of five (5) years from the date of delivery to the end user, including coverage of light output, color stability, driver performance and fixture finish. RAB's warranty is subject to all terms and conditions found at [rablighting.com/warranty](http://rablighting.com/warranty).

**Dimensions**



**Features**

- Sleek, contemporary, architectural-grade design
- Universal dimming driver (TRIAC, ELV and 0-10V)
- 50,000-Hour LED lifespan

**Ordering Matrix**

| Family | Size   | Mounting                                     | Wattage   | Optic          | CRI/Color Temp      | Finish           |
|--------|--------|--|-----------|----------------|---------------------|------------------|
| CDLED  | 4      | W  | 40W       | 50D            | 930                 | W                |
|        | 4 = 4" | W = Wall Direct/Indirect (Downlight/Uplight) | 20W = 20W | 40D = 40°      | 950 = 90 CRI, 5000K | W = Matte White  |
|        | 6 = 6" | PS = Pendant Stem                            | 10W = 10W | 20D = 20°      | 940 = 90 CRI, 4000K | K = Matte Black  |
|        | 2 = 2" | PC = Pendant Cord 48" Standard               | 26W = 26W | 30D = 30°      | 935 = 90 CRI, 3500K | S = Matte Silver |
|        |        | S = Surface (Ceiling Mount)                  | 40W = 40W | 50D = 50°      | 930 = 90 CRI, 3000K | Z = Bronze       |
|        |        | WU = Wall Indirect (Uplight) Only            |           | 80D = 80°      | 927 = 90 CRI, 2700K |                  |
|        |        | WD = Wall Direct (Downlight) Only            |           | WW = Wall Wash |                     |                  |