



Cylinders are a complete design solution. They are available in various sizes, mounting options, colors and beam angles, and suitable for indoor/outdoor use.

Color: Matte silver

Weight: 8.7 lbs

| | |
|---------------------|--------------|
| Project: | Type: |
| Prepared By: | Date: |

| Driver Info | | LED Info | |
|-------------|------------------|----------------|--------------------------|
| Type | Constant Current | Watts | 20W |
| 120V | 0.18A | Color Temp | 2700K (Residential Warm) |
| 208V | 0.11A | Color Accuracy | 91 CRI |
| 240V | 0.10A | R9 | 51 |
| 277V | 0.09A | L70 Lifespan | 50,000 Hours |
| Input Watts | 20.2W | Lumens | 1,582 lm |
| | | Efficacy | 78.3 lm/W |

Technical Specifications

Compliance

UL Listed:

Suitable for wet locations

IESNA LM-79 & LM-80 Testing:

RAB LED luminaires and LED components have been tested by an independent laboratory in accordance with IESNA LM-79 and LM-80.

Electrical

Driver:

Constant Current, Class 2, 120-277V, 50/60 Hz, 120V: 0.18A, 208V: 0.11A, 240V: 0.10A, 277V: 0.09A

Dimming Driver:

0 - 10V (at 120-277V), TRIAC and ELV (at 120V only)

THD:

12% at 120V, 19.4% at 277V

Power Factor:

98.6% at 120V, 89.7% at 277V

Optical

Optics:

50°

Performance

Lifespan:

50,000-Hour LED lifespan based on IESIm-80 results and TM-21 calculations

LED Characteristics

LEDs:

Long-life, high-efficacy, surface-mount LEDs

Color Stability:

LED color temperature is warrantied to Shift no more than 200K in color temperature over a 5-year period

Construction

Cold Weather Starting:

The minimum starting temperature is -22°F (-30°C)

Maximum Ambient Temperature:

Suitable for use in up to 104°F (40°C)

Lens:

Solite Glass Lens and Microprismatic Diffusion Lens

Reflector:

Vacuum-metalized polycarbonate

Housing:

Extruded aluminum

Gaskets:

High-temperature silicone

Green Technology:

Mercury and UV free. RoHS-compliant components.

Finish:

Formulated for high durability and long-lasting color

Installation

Mounting:

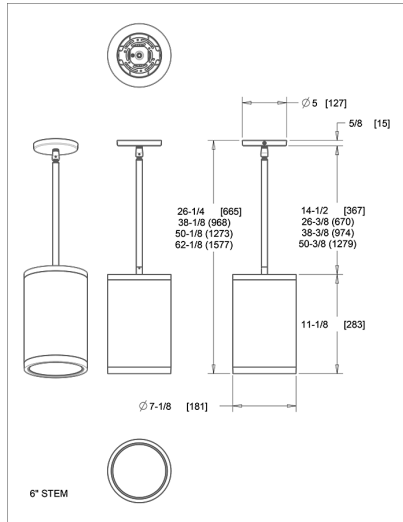
Pendant stem (comes with components to create 12", 24", 36" or 48" in field)

Other

5-Year, No-Compromise Warranty:

RAB warrants that our LED products will be free from defects in materials and workmanship for a period of five (5) years from the date of delivery to the end user, including coverage of light output, color stability, driver performance and fixture finish. RAB's warranty is subject to all terms and conditions found at rablighting.com/warranty.

Dimensions



Features

- Sleek, contemporary, architectural-grade design
- Universal dimming driver (TRIAC, ELV and 0-10V)
- 50,000-Hour LED lifespan

Ordering Matrix

| Family | Size | Mounting | Wattage | Optic | CRI/Color Temp | Finish |
|--------|---|------------------|-----------------------|----------------------------|-------------------------|--------|
| CDLED | 6 | PS | 20W | 50D | 927 | S |
| 4 = 4" | W = Wall Direct/Indirect (Downlight/Uplight) | 20W = 20W | 40D = 40° | 950 = 90 CRI, 5000K | W = Matte White | |
| 6 = 6" | PS = Pendant Stem | 10W = 10W | 20D = 20° | 940 = 90 CRI, 4000K | K = Matte Black | |
| 2 = 2" | PC = Pendant Cord 48" Standard | 26W = 26W | 30D = 30° | 935 = 90 CRI, 3500K | S = Matte Silver | |
| | S = Surface (Ceiling Mount) | 40W = 40W | 50D = 50° | 930 = 90 CRI, 3000K | Z = Bronze | |
| | WU = Wall Indirect (Uplight) Only | | 80D = 80° | 927 = 90 CRI, 2700K | | |
| | WD = Wall Direct (Downlight) Only | | WW = Wall Wash | | | |