



Color: White w/brushed nickel ring

Weight: 2.0 lbs

Project:	Type:
Prepared By:	Date:

Driver Info		LED Info	
Type	Constant Current	Watts	16W
120V	0.15A	Color Temp	2700/3000/3500/4000/5000K
208V	0.09A	Color Accuracy	90 CRI
240V	0.07A	L70 Lifespan	50,000 Hours
277V	0.06A	Lumens	1,120 lm
Input Watts	16W	Efficacy	70

Technical Specifications

Performance

Product Type:

Flush Mount

Description:

5-CCT selectable, back-lit LED retrofit fixture with decorative ring. Installs on standard junction boxes. Dimmable models available for 0-10V or TRIAC dimming systems with optional microwave sensor and/or integrated emergency battery backup.

Wattage Equivalency:

75W Incandescent

Input Wattage:

16W

Lumens (Nominal):

1,120lm

Efficacy:

70lm/W

Lumens (Measured):

1159lm @ 2700K; 1290lm @ 3000K; 1347lm @ 3500K; 1357lm @ 4000K; 1289lm @ 5000K

Lifespan:

50,000-Hour LED lifespan based on IESlm-70 results

Electrical

Driver:

Constant Current, Class 2

THD:

<20%

Power Factor:

≥0.9

Dimmable:

Yes, dimmable down to 10% on compatible 0-10V dimming systems. See Dimmer Compatibility List. Requires separate 0-10V DC dimming circuit.

Input Voltage:

120-277V

Operating Frequency:

50/60Hz

Input Current @ 120V (mA):

150mA

Input Current @ 208V (mA):

85mA

Input Current @ 240V (mA):

73mA

Input Current @ 277V (mA):

63mA

Operating Temperature:

-4°F to 104°F (-20°C to 40°C)

LED Characteristics

Beam Angle:

130°

Color Temperature:

Field adjustable via dip switch
2700/3000/3500/4000/5000K

Color Accuracy (CRI):

90 CRI

R9 Value:

High color performance with R9 greater than 50

Color Consistency:

<4-step (2700K & 5000K); <7-step (3000K/3500K/4000K) MacAdam Ellipse binning to achieve consistent fixture-to-fixture color

Color Stability:

LED color temperature is warrantied to Shift no more than 200K in color temperature over a 5-year period

Technical Specifications (continued)

Color Uniformity:

RAB's range of Correlated Color Temperature follows the guidelines of the American National Standard for Specifications for the Chromaticity of Solid State Lighting (SSL) Products, ANSI C78.377-2017.

Installation**Mounting:**

Surface mount

Construction**Size:**

12"

Shape:

Round

Finish:

White w/brushed nickel ring

Trim Style:

Smooth

Lens Finish:

Frosted

Lens:

Polycarbonate light diffuser distributes light evenly and smoothly for general lighting applications

Compliance**Listings:**

UL Listed

Environment:

Suitable for use indoors and outdoors in dry, damp, or wet environments.

IC Rated:

No

Air Tight:

No

Certification Model Number:

CRVFAD-12R-16-9CCT-UNV-BN

California Title 20 Compliant:

Can be used to conform with the requirements of California Title 20

California Title 24 JA8 Compliant:

Can be used to conform with the requirements of California Title 24 Part 6.

California Energy Commission (CEC) Status:

Lawful for Sales in California

IESNA LM-79 & LM-80 Testing:

RAB LED luminaires and LED components have been tested by an independent laboratory in accordance with IESNA LM-79 and LM-80.

RoHS:

Mercury and UV free. RoHS-compliant components.

FCC:

Complies with Part 15 of the FCC Rules

Trade Agreements Act Compliant:

This product is a product of Cambodia and a "designated country" end product that complies with the Trade Agreements Act

Other**Compatible Accessories:**

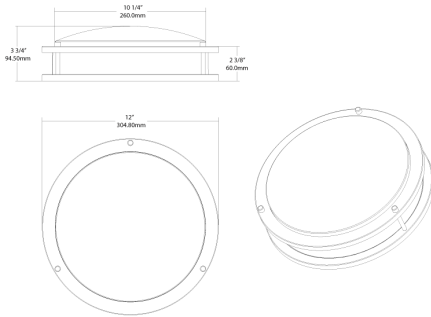
CRVFA-CONVERTIBLE-KIT

Pendant mount kit for CRVFA

5-Year, No-Compromise Warranty:

RAB warrants that our LED products will be free from defects in materials and workmanship for a period of five (5) years from the date of delivery to the end user, including coverage of light output, color stability, driver performance and fixture finish. RAB's warranty is subject to all terms and conditions found at rablighting.com/warranty.

Dimensions



Features

- Surface mount to ceiling or wall
- Field-adjustable "set and forget" color temperature
- Decorative twin-ring design makes fixture ideal for residential applications
- Ideal for hospitality and multi-family residential applications
- Suitable for wet and damp locations

Ordering Matrix

Family	Type	Size	Wattage	CRI/Color Temp	Driver	Finish	Sensor	Battery Backup
CRVFA	D	12	R	16	9CCT	UNV	BN	
	D = Decorative	11 = 11" 19 = 19" 18 = 18" 14 = 14" 12 = 12" R = Round	16 = 16W 20 = 20W 32 = 32W	9CCT = 90 CRI, 2700/3000/3500/4000/5000K CCT Adjustable	UNV = 120-277V, 0-10V Dimming UNVT = 120-277V, TRIAC/ELV	W = White BN = Brushed Nickel	Blank = No Option /MVS = Microwave Occupancy Sensor	Blank = No Option /EM = Emergency Battery Backup /EMBB = Emergency Battery Backup