



Color: White

Weight: 1.1 lbs

<b>Project:</b>	<b>Type:</b>
<b>Prepared By:</b>	<b>Date:</b>

Driver Info		LED Info	
Type	Constant Current, Class A	Watts	9/12/15W
120V	0.14A	Color Temp	2700/3000/3500/4000/5000K
208V	0.07A	Color Accuracy	90 CRI
240V	0.06A	L70 Lifespan	N/A
277V	0.06A	Lumens	1,500/1,200/900 lm
Input Watts	15/12/9W	Efficacy	100

**Technical Specifications**

**Performance**

**Product Type:**

Commercial Downlight

**Description:**

The CRXLED family is a high output and flexible commercial downlight system that covers a wide range of applications without the need for stocking multiple SKUs.

**Wattage Equivalency:**

40W CFL

**Input Wattage:**

9/12/15W

**Lumens:**

9W  
935lm @ 2700K; 956lm @ 3000K; 976lm @ 3500K; 993lm @ 4000K; 1,001lm @ 5000K

12W

1,253lm @ 2700K; 1,300lm @ 3000K; 1,347lm @ 3500K; 1,372lm @ 4000K; 1,373lm @ 5000K

15W

1,523lm @ 2700K; 1,587lm @ 3000K; 1,652lm @ 3500K; 1,685lm @ 4000K; 1,676lm @ 5000K

**Efficacy:**

9W  
110lm/W @ 2700K; 113lm/W @ 3000K; 117lm/W @ 3500K; 119lm/W @ 4000K; 118lm/W @ 5000K

12W

108lm/W @ 2700K; 113lm/W @ 3000K; 119lm/W @ 3500K; 121lm/W @ 4000K; 118lm/W @ 5000K

15W

104lm/W @ 2700K; 109lm/W @ 3000K; 116lm/W @ 3500K; 119lm/W @ 4000K; 115lm/W @ 5000K

**L70 Lifespan:**

50,000-Hour LED lifespan based on IES LM-70 results

**Electrical**

**Driver:**

Constant Current, Class A, 50/60 Hz, 120V-277V, 120V: 0.14A, 208V: 0.07A; 240V: 0.06A, 277V: 0.06A

**THD:**

≤20%

**Power Factor:**

≥0.9

**Dimmable:**

Yes, dimmable down to 10% on compatible 0-10V or TRIAC/ELV dimming systems. See Dimmer Compatibility List.

**Input Voltage:**

120-277V

**Operating Frequency:**

50/60Hz

**Input Current @ 120V (mA):**

140mA

**Input Current @ 208V (mA):**

73mA

**Input Current @ 240V (mA):**

64mA

**Input Current @ 277V (mA):**

59mA

**Operating Temperature:**

-4°F to 104°F (-20°C to 40°C)

**Flicker:**

≤30%

**LED Characteristics**

**Beam Angle:**

85°±10°

**Color Temperature:**

Field adjustable via dip switch  
2700/3000/3500/4000/5000K

## Technical Specifications (continued)

### Color Accuracy (CRI):

90 CRI

### R9 Value:

High color performance with R9 greater than 50

### Color Consistency:

<4-step (2700K & 5000K) MacAdam Ellipse binning to achieve consistent fixture-to-fixture color

### Color Stability:

LED color temperature is warranted to Shift no more than 200K in color temperature over a 5-year period

### Color Uniformity:

RAB's range of Correlated Color Temperature follows the guidelines of the American National Standard for Specifications for the Chromaticity of Solid State Lighting (SSL) Products, ANSI C78.377-2017.

## Installation

### Remote Driver/Junction Box:

Die formed metal driver / junction box with captive hinged junction box cover. Listed for Maximum of (4) 12AWG through branch circuit conductor suitable for 90°C permitted in box. Easy to wire in 2in/2out (plus ground) applications. (4) conduit pry-outs. (3) quick snap-in connectors for quick and reliable line voltage connections. Integral mounting facilitates direct mounting to building structure or mounting frame.

### Mounting:

Recessed

## Construction

### Size:

3"

### Shape:

Round

### Finish:

White

### Enclosure Material:

Metal

### Trim Style:

Smooth

### Lens Finish:

Frosted

### Lens:

Polycarbonate light diffuser distributes light evenly and smoothly for general lighting applications

### Air Tight:

Housing certified Air Tight as per ASTM-E283

## Compliance

### Trade Agreements Act Compliant:

This product is a product of Cambodia and a "designated country" end product that complies with the Trade Agreements Act

### Listings:

UL Listed, UL Classified

### Environment:

Suitable for use indoors and outdoors in dry, damp, or wet environments.

### IC Rated:

Suitable for direct contact with insulation. Type IC inherently protected, suitable for direct contact to air permeable insulation and cULus listed for damp locations. Not for use in direct contact with spray foam insulation, consult NEMA LSD57-2013.

### Plenum Rated:

Classified by UL 2043 Fire Test for heat and visible smoke release for discrete products and their accessories installed in air-handling spaces.

### Energy Star Approved:

This product is ENERGY STAR® Version 1.0 Certified.

### DLC Listed:

This product family is listed with the DesignLights Consortium (DLC). Individual SKUs within this family may carry either a DLC Standard or DLC Premium qualification. Please refer to the individual product specification sheet or the DLC Qualified Products List (QPL) at [designlights.org](http://designlights.org) to confirm the qualification status of a specific SKU prior to specification or purchase.

### Certification Model Number:

DLC1010(CRX3)

### California Title 20 Compliant:

No

### California Title 24 JA8 Compliant:

Can be used to conform with the requirements of California Title 24 Part 6.

### California Energy Commission (CEC) Status:

Lawful for Sales in California

### NSF Listed:

No

### NEC Compliant:

Suitable for use in closets. Compliant with NEC Sec. 410.16 (A)(1) and 410.16 (C3).

### IESNA LM-79 & LM-80 Testing:

RAB LED luminaires and LED components have been tested by an independent laboratory in accordance with IESNA LM-79 and LM-80.

### RoHS:

Mercury and UV free. RoHS-compliant components.

### FCC:

Complies with Part 15 of the FCC Rules

## Other

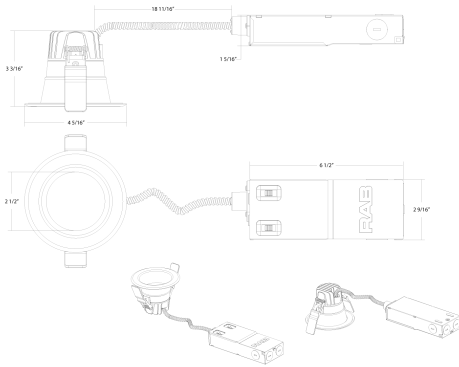
### Compatible Products:

DRI-21-EMGR-DC-D10  
Emergency driver T20

### 5-Year, No-Compromise Warranty:

RAB warrants that our LED products will be free from defects in materials and workmanship for a period of five (5) years from the date of delivery to the end user, including coverage of light output, color stability, driver performance and fixture finish. RAB's warranty is subject to all terms and conditions found at [rablighting.com/warranty](http://rablighting.com/warranty).

**Dimensions**



**Features**

CCT Selectable and Lumen Adjustable switches for greater stocking convenience and control

Comes with a remote driver with built-in junction box and quick disconnect; Eliminates the need for a traditional, multi-piece fixture setup

Ideal for new construction, remodel, and retrofit applications

Interchangeable trims available in matte black, brushed nickel, and bronze

**Ordering Matrix**

Family	Size/Wattage	Shape	CRI/Color Temp	Driver	Finish	Trim
CRX	3					
	3 = 3", 15/12/9W 4 = 4", 20/16/12W 6 = 6", 50/40/30W 6 = 6", 55/44/33W 8 = 8", 80/65/50W	Blank = Round	Blank = 90 CRI, 2700/3000/3500/4000/5000K CCT Adjustable	Blank = 120-277V, 0-10V + TRIAC/ELV /D10 = 120-277V, 0-10V	Blank = White	Blank = Smooth