



| | |
|---------------------|--------------|
| Project: | Type: |
| Prepared By: | Date: |

| Driver Info | | LED Info | |
|-------------|---------------------------|----------------|---------------------------|
| Type | Constant Current, Class A | Watts | 30/40/50W |
| 120V | 0.47A | Color Temp | 2700/3000/3500/4000/5000K |
| 208V | 0.24A | Color Accuracy | 90 CRI |
| 240V | 0.21A | L70 Lifespan | N/A |
| 277V | 0.19A | Lumens | 5,000/4,000/3,000 lm |
| Input Watts | 50/40/30W | Efficacy | 100 |

Technical Specifications

Performance

Product Type:

Commercial Downlight

Description:

The CRXLED family is a high output and flexible commercial downlight system that covers a wide range of applications without the need for stocking multiple SKUs.

Wattage Equivalency:

125W CFL

Input Wattage:

30/40/50W

Lumens:

30W
3,147lm @ 2700K; 3,281lm @ 3000K; 3,396lm @ 3500K; 3,444lm @ 4000K; 3,408lm @ 5000K

40W

4,083lm @ 2700K; 4,295lm @ 3000K; 4,480lm @ 3500K; 4,547lm @ 4000K; 4,440lm @ 5000K

50W

5,045lm @ 2700K; 5,357lm @ 3000K; 5,632lm @ 3500K; 5,720lm @ 4000K; 5,498lm @ 5000K

Efficacy:

30W
106lm/W @ 2700K; 111lm/W @ 3000K; 117lm/W @ 3500K; 118lm/W @ 4000K; 115lm/W @ 5000K

40W

103lm/W @ 2700K; 108lm/W @ 3000K; 115lm/W @ 3500K; 116lm/W @ 4000K; 111lm/W @ 5000K

50W

102lm/W @ 2700K; 108lm/W @ 3000K; 116lm/W @ 3500K; 117lm/W @ 4000K; 110lm/W @ 5000K

L70 Lifespan:

50,000-Hour LED lifespan based on IES LM-70 results

Electrical

Driver:

Constant Current, Class A, 50/60 Hz, 120V-277V, 120V: 0.47A, 208V: 0.24A; 240V: 0.21A, 277V: 0.19A

THD:

≤20%

Power Factor:

≥0.9

Dimmable:

Yes, dimmable down to 10% on compatible 0-10V or TRIAC/ELV dimming systems. See Dimmer Compatibility List.

Input Voltage:

120-277V

Operating Frequency:

50/60Hz

Input Current @ 120V (mA):

470mA

Input Current @ 208V (mA):

244mA

Input Current @ 240V (mA):

212mA

Input Current @ 277V (mA):

185mA

Operating Temperature:

-4°F to 104°F (-20°C to 40°C)

Flicker:

≤30%

LED Characteristics

Beam Angle:

85°±10°

Color Temperature:

Field adjustable via dip switch 2700/3000/3500/4000/5000K

Technical Specifications (continued)

Color Accuracy (CRI):

90 CRI

R9 Value:

High color performance with R9 greater than 50

Color Consistency:

<4-step (2700K & 5000K) MacAdam Ellipse binning to achieve consistent fixture-to-fixture color

Color Stability:

LED color temperature is warranted to Shift no more than 200K in color temperature over a 5-year period

Color Uniformity:

RAB's range of Correlated Color Temperature follows the guidelines of the American National Standard for Specifications for the Chromaticity of Solid State Lighting (SSL) Products, ANSI C78.377-2017.

Installation

Remote Driver/Junction Box:

Die formed metal driver / junction box with captive hinged junction box cover. Listed for Maximum of (4) 12AWG through branch circuit conductor suitable for 90°C permitted in box. Easy to wire in 2in/2out (plus ground) applications. (4) conduit pry-outs. (3) quick snap-in connectors for quick and reliable line voltage connections. Integral mounting facilitates direct mounting to building structure or mounting frame.

Mounting:

Recessed

Construction

Size:

6"

Shape:

Round

Finish:

White

Enclosure Material:

Metal

Trim Style:

Smooth

Lens Finish:

Frosted

Lens:

Polycarbonate light diffuser distributes light evenly and smoothly for general lighting applications

Air Tight:

Housing certified Air Tight as per ASTM-E283

Compliance

Trade Agreements Act Compliant:

This product is a product of Cambodia and a "designated country" end product that complies with the Trade Agreements Act

Listings:

UL Listed, UL Classified

Environment:

Suitable for use indoors and outdoors in dry, damp, or wet environments.

IC Rated:

No

Plenum Rated:

Classified by UL 2043 Fire Test for heat and visible smoke release for discrete products and their accessories installed in air-handling spaces.

Energy Star Approved:

This product is ENERGY STAR® Version 1.0 Certified.

DLC Listed:

This product family is listed with the DesignLights Consortium (DLC). Individual SKUs within this family may carry either a DLC Standard or DLC Premium qualification. Please refer to the individual product specification sheet or the DLC Qualified Products List (QPL) at designlights.org to confirm the qualification status of a specific SKU prior to specification or purchase.

Certification Model Number:

DLC1012(CRX6)

California Title 20 Compliant:

No

California Title 24 JA8 Compliant:

Can be used to conform with the requirements of California Title 24 Part 6.

California Energy Commission (CEC) Status:

Lawful for Sales in California

NSF Listed:

No

NEC Compliant:

Suitable for use in closets. Compliant with NEC Sec. 410.16 (A)(1) and 410.16 (C3).

IESNA LM-79 & LM-80 Testing:

RAB LED luminaires and LED components have been tested by an independent laboratory in accordance with IESNA LM-79 and LM-80.

RoHS:

Mercury and UV free. RoHS-compliant components.

FCC:

Complies with Part 15 of the FCC Rules

Other

Compatible Products:

DLPLATE/WFR6/NB/CL

6" Mounting plate with nailer bar and drywall collar

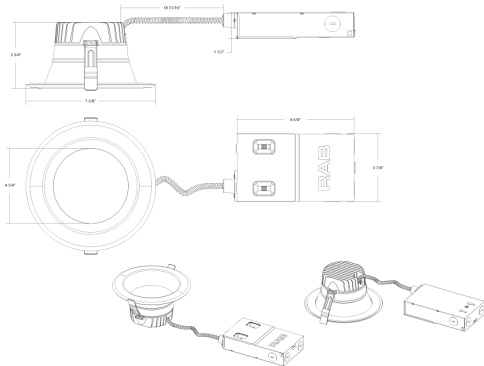
DRI-21-EMGR-DC-D10

Emergency driver T20

5-Year, No-Compromise Warranty:

RAB warrants that our LED products will be free from defects in materials and workmanship for a period of five (5) years from the date of delivery to the end user, including coverage of light output, color stability, driver performance and fixture finish. RAB's warranty is subject to all terms and conditions found at rablighting.com/warranty.

Dimensions



Features

CCT Selectable and Lumen Adjustable switches for greater stocking convenience and control

Comes with a remote driver with built-in junction box and quick disconnect; Eliminates the need for a traditional, multi-piece fixture setup

Ideal for new construction, remodel, and retrofit applications

Interchangeable trims available in matte black, brushed nickel, and bronze

Ordering Matrix

| Family | Size/Wattage | Shape | CRI/Color Temp | Driver | Finish | Trim |
|--------|--|---------------|--|---|---------------|----------------|
| CRX | 6 | | | | | |
| | 3 = 3", 15/12/9W 4 = 4", 20/16/12W 6 = 6", 50/40/30W 6 = 6", 55/44/33W 8 = 8", 80/65/50W | Blank = Round | Blank = 90 CRI, 2700/3000/3500/4000/5000K CCT Adjustable | Blank = 120-277V, 0-10V + TRIAC/ELV /D10 = 120-277V, 0-10V | Blank = White | Blank = Smooth |