



Project:	Type:
Prepared By:	Date:

Driver Info		LED Info	
Type	Constant Current	Watts	15W
120V	0.14A	Color Temp	3000/4000/5000K
208V	N/A	Color Accuracy	90 CRI
240V	N/A	L70 Lifespan	50,000 Hours
277V	N/A	Lumens	1,300 lm
Input Watts	15W	Efficacy	86.7

Technical Specifications

Performance

Description:

3CCT Selectable Low-profile, surface-mount Disk for new construction and retrofit applications. Integrated passive infrared (PIR) sensor with a 30s timeout make this ideal for use in a variety of applications including hallways, bathrooms, stairways, closets, and canopies. Mounting kit for recessed housing sold separately.

Product Type:

Surface & Flush Mounts

Input Wattage:

15W

Lumens:

900lm

Efficacy:

60lm/W

L70 Lifespan:

50,000-Hour LED lifespan based on IES LM-70 results

Electrical

Dimming Driver:

TRIAC compatible dimmer

THD:

≤20%

Power Factor:

≥0.9

Flicker:

≤30%

Input Voltage:

120V

Operating Frequency:

60Hz

Construction

Material:

Metal

Trim Style:

Smooth Trim

Shape:

Round

Operating Temperature:

-4°F(-20°C) to 104°F (40°C)

Size:

6"

Installation

Mounting:

Surface and recessed mount

LED Characteristics

R9 Value:

High color performance with R9 greater than or equal to 50

Compliance

UL Classified:

Yes

UL Listed:

Yes

Energy Star Approved:

ENERGY STAR® Version 2.2 Certified

Trade Agreements Act Compliant:

This product is a product of Cambodia and a "designated country" end product that complies with the Trade Agreements Act

Energy Star ID:

3555647

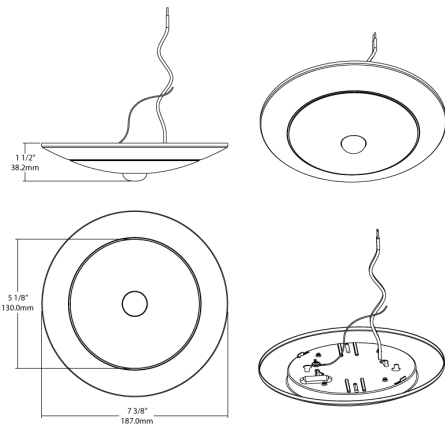
Technical Specifications (continued)

Other

5-Year, No-Compromise Warranty:

RAB warrants that our LED products will be free from defects in materials and workmanship for a period of five (5) years from the date of delivery to the end user, including coverage of light output, color stability, driver performance and fixture finish. RAB's warranty is subject to all terms and conditions found at rablighting.com/warranty.

Dimensions



Features

- Low profile back-lit design made of durable thermoplastic housing with frosted lens
- New construction or retrofit applications
- Installs on standard junction boxes
- Suitable for indoor/outdoor use in dry, damp, and wet locations
- Suitable for use in closets when installed in accordance with NEC guidelines
- Integrated passive infrared (PIR) sensor with a 30s timeout

Ordering Matrix

Family	Size	Shape	Wattage	CRI/Color Temp	Driver	Finish	Trim	Sensor	
DSKFA	-	6	R	15	9CCT	120	W	S	/PIR
	6 = 6"	R = Round	15 = 15W	9CCT = 90 CRI, CCT Adjustable	120 = 120V	W = White	S = Smooth	/PIR = PIR Sensor	
	4 = 4"		10 = 10W						