



Project:	Type:
Prepared By:	Date:

Technical Specifications

Performance

Product Type:

Universal Mounting Edge-Lit Exit Sign

Product Series:

ELS & ELX Universal Mounting Edge-Lit Exit Sign

Description:

These edge-lit exit signs provide a high-end aesthetic while still being economical. The exit sign panel tilts 0-180°, fitting many mounting orientations, and comes with surface and recessed mounting hardware in the box.

Input Power (W):

1.7W

Maximum Output Wattage (W):

0.8W

Construction

Housing Material:

Thermoplastic Housing 5VA Flame Rating

Housing Finish:

White Housing

Lens Panel:

Clear acrylic exit panel

Lettering:

Standard with Red/Green Color Selection

Face Configuration:

Single face

Arrow Configuration:

Field-installable, removable chevron directional indicators for all configurations

Illumination Source:

Long-life LEDs provide diffuse illumination of exit face

Electrical

Power Factor:

0.4

Input Voltage (V):

Universal 120-277 Voltage

Operating Frequency:

50/60Hz

Input Current @ 120V (A):

.029A

Operating Temperature:

32°F to 104°F (0°C to 40°C)

Emergency Characteristics

Battery Backup:

Yes

Emergency Illumination:

90 minutes

Battery:

Nickel-Metal Hydride

Battery Voltage:

Battery Voltage

Recharge Time:

Maximum 24 hours for full recharge time

Battery Operating Temperature:

32°F to 122°F (0°C to 50°C)

Testing Method:

Integrated Test Switch & Charge Indicator

Installation

Mounting:

Can be mounted on top, side or end mount

Application:

Compatible with drywall or drop ceiling mount installations

Technical Specifications (continued)

Compliance

Listings:

UL924 Listed, NFPA 101 (current Life Safety Code),
NEC and OSHA illumination standards

Environment:

Suitable for use in dry and damp environments. Not
suitable for applications with direct sunlight.

IP Rating:

IP20

T20 Compliant:

Can be used to conform with the requirements of
California Title 20

California Title 24 JA8 Compliant:

No

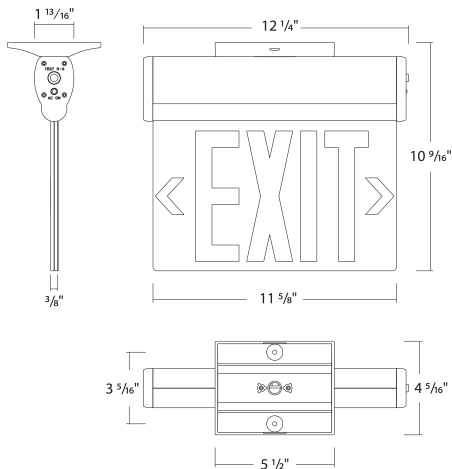
California Energy Commission (CEC) Status:

Lawful for Sales in California

FCC:

Complies with Part 15 of the FCC Rules

Dimensions



Features

- Great for applications requiring an attractive, edge-lit exit sign while remaining budget- friendly
- Comes provided with all mounting hardware included for surface ceiling, wall, end mount, recessed ceiling and wall mount
- Single-sided clear and double-sided mirror lens panels included
- Thermoplastic housing is impact-resistant, scratch-resistant, and corrosion-proof (ELS & ELX) NYC-Compliant aluminum housing (ELS NYC & ELX NYC)
- Select between green and red lettering

Ordering Matrix

Family	Model	Panel	Lettering Color	Housing Finish
ELS				
	Blank = Standard Thermoplastic NYC = Aluminum NYC Compliant	Blank = Clear Panel, Single Face MP = Mirror Panel, Double Face	Blank = Red or Green Selectable Blank = Red only	Blank = White Blank = Brushed Aluminum