

Color: Black

Weight: 3.2 lbs

Project:	Type:
Prepared By:	Date:

**Technical Specifications**

**Performance**

**Product Type:**

Low Profile Emergency Light

**Product Series:**

EM34  
Emergency Light

**Description:**

Ultra-economy emergency unit low profile, thermoplastic dual lamp head emergency unit. Available in white or black finishes with round lamp heads.

**Input Power (W):**

1.8W

**Lumens (lm):**

160lm

**Maximum Output Wattage (W):**

2W

**Construction**

**Housing Material:**

Injection-molded thermoplastic ABS housing, UL 94V-0 flame rating

**Housing Finish:**

Black Finish

**Illumination Source:**

2 Lamp Heads

**Optical System:**

High-performance chromeplated reflectors and polycarbonate lenses for optimal light distribution

**Head Orientation:**

Adjustable heads for aiming light where required 330° Rotation, 40° Tilt

**Remote Capable:**

No

**LED Characteristics**

**Color Temperature:**

6500K

**Electrical**

**Power Factor:**

0.4

**Input Voltage (V):**

Universal 120-277 Voltage

**Operating Frequency:**

50/60Hz

**Input Current @ 120V (A):**

0.02A

**Input Current @ 277V (A):**

0.01A

**Operating Temperature:**

32°F to 104°F (0°C to 40°C)

**Emergency Characteristics**

**Battery Backup:**

Yes

**Emergency Illumination:**

90 minutes

**Battery:**

Built-in 3.6V 1000mAh NI-MH battery

**Battery Voltage:**

Battery Voltage

**Recharge Time:**

Maximum 24 hours for full recharge time

**Battery Operating Temperature:**

32°F to 122°F (0°C to 50°C)

**Testing Method:**

Integrated Test Switch & Charge Indicator

**Installation**

**Mounting:**

Universal J-Box Mounting Pattern

## Technical Specifications (continued)

**Application:**

Wall Mount

**Mounting Height:**

7.5 ft

**Emergency Egress Coverage (ft) Mounting at height of 7.5 ft:**

14'X3'

**Compliance**

---

**Listings:**

UL924 Listed, NFPA 101 (current Life Safety Code), NEC and OSHA illumination standards

**Environment:**

Suitable for use in dry and damp environments. Not suitable for applications with direct sunlight.

**IP Rating:**

IP20

**T20 Compliant:**

Can be used to conform with the requirements of California Title 20

**California Title 24 JA8 Compliant:**

No

**California Energy Commission (CEC) Status:**

Lawful for Sales in California

**FCC:**

Complies with Part 15 of the FCC Rules

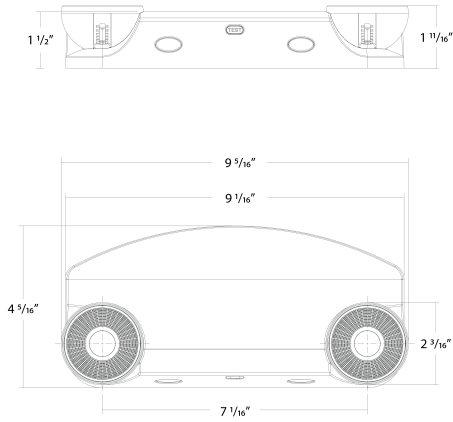
**Other**

---

**3-Year, No-Compromise Warranty:**

RAB warrants that our LED products will be free from defects in materials and workmanship for a period of three (3) years from the date of delivery to the end user, including coverage of light output, color stability, driver performance and fixture finish. RAB's warranty is subject to all terms and conditions found at [rablighting.com/warranty](http://rablighting.com/warranty).

## Dimensions



## Features

- Durable thermoplastic design
- Emergency light with 90-minute battery backup

## Ordering Matrix

Family	Remote Capacity	Housing Color	Driver
EM34		B	

**Blank** = No Remote Capable  
**R** = Remote Capable

**Blank** = White  
**B** = Black

**Blank** = 120-277V