



Weight: 1.6 lbs

Project:	Type:
Prepared By:	Date:

Technical Specifications

Performance

Product Type:
Emergency Driver

Description:

AC Constant power emergency LED drivers for use with many fixture applications. Can be factory and field installed, simple to wire, and ideal for various kinds of 0-10V dimmable indoor LED luminaires.

Input Power (W):
8W

L70 Lifespan:
50,000-Hour LED lifespan based on IES LM-70 results

Electrical

Driver:
Constant Current 120V-347V 50/60 Hz; 120V: 0.0339mA; 208V: 0.0212mA; 240V: 0.0196mA; 277V: 0.0189mA

Power Factor:
0.84

Dimmable:

Yes, dimmable down to 10% on compatible 0-10V dimming systems. See Dimmer Compatibility List. Requires separate 0-10V DC dimming circuit.

Input Voltage:

120-347V

Operating Frequency:

50/60Hz

Operating Temperature:

0°F to 122°F (0°C to 50°C)

Protections:

- Battery overcharge protection
- Battery over-discharge protection
- Output overload protection
- Short-circuit protection
- Open load protection

Battery:

Lithium Ion 14.8V/180mAh

Emergency Operation:

90 minutes

Emergency Power:

15W

Installation

Mounting:
Easy wiring: directly connect to AC INPUT OF LED Lights

Construction

Finish:
Red

Enclosure Material:
Steel

Compliance

Listings:
Listed to UL924. For field or factory Installation (Indoor and Damp)

NFPA Approved:
Compliance with American National Fire Protection Association (NFPA) 101 life Safety Code

Environment:
Suitable for use indoors in dry and damp environments.

California Title 20 Compliant:
Can be used to conform with the requirements of California Title 20

California Title 24 JA8 Compliant:
No

California Energy Commission (CEC) Status:
Lawful for Sales in California

Technical Specifications (continued)

IESNA LM-79 & LM-80 Testing:

RAB LED luminaires and LED components have been tested by an independent laboratory in accordance with IESNA LM-79 and LM-80.

RoHS:

Mercury and UV free. RoHS-compliant components.

FCC:

Complies with Part 15 of the FCC Rules

Other

Compatible Products:

This emergency driver is compatible with 15-120W LED with 0-10V dimming or LED less than 15W without 0-10V dimming.

Panels & Troffers:

T34FA-[1X4][2X2][2X4]

Back-lit flat panel (non-LCB models only)

EZP-[1X4][2X2][2X4]

Edge-lit flat panel (non-LCB models only)

SWISHFA-[1X4][2X2][2X4]

Center basket troffer, field-adjustable (non-LCB models only)

C-SWISH-[1X4][2X2][2X4]

Eco-friendly center basket troffer, field-adjustable (non-LCB models only)

SWISH[AIR]-[1X4][2X2][2X4]

Center basket troffer, field-adjustable (non-LCB models only)

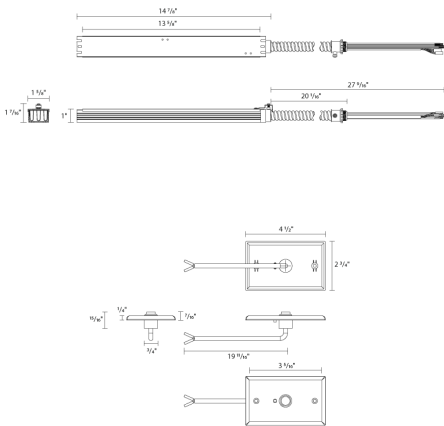
SWISH34-[1X4][2X2][2X4]

Center basket troffer, field-adjustable (non-LCB models only)

5-Year Limited Warranty:

The RAB 5-year, limited warranty covers light output, driver performance and paint finish. RAB's warranty is subject to all terms and conditions found at rablighting.com/warranty.

Dimensions



Features

- Constant power, AC solution emergency battery
- UL Listed for field or factory installation
- Meets or exceeds all NEC, IBC, and Life Safety Code Emergency Lighting Requirements
- CEC Title 20 Compliant
- Overcharge, over-discharge, output overload, short-circuit, and open load protection
- 5-Year Limited Warranty