



Weight: 1.6 lbs

<b>Project:</b>	<b>Type:</b>
<b>Prepared By:</b>	<b>Date:</b>

**Technical Specifications**

**Performance**

**Product Type:**  
Emergency Driver

**Description:**

AC Constant power emergency LED drivers for use with many fixture applications. Can be factory and field installed, simple to wire, and ideal for various kinds of 0-10V dimmable indoor LED luminaires.

**Input Power (W):**  
8W

**L70 Lifespan:**  
50,000-Hour LED lifespan based on IES LM-70 results

**Electrical**

**Driver:**  
Constant Current 120V-347V 50/60 Hz; 120V: 0.0339mA; 208V: 0.0212mA; 240V: 0.0196mA; 277V: 0.0189mA

**Power Factor:**  
0.84

**Dimmable:**

Yes, dimmable down to 10% on compatible 0-10V dimming systems. See Dimmer Compatibility List. Requires separate 0-10V DC dimming circuit.

**Input Voltage:**

120-347V

**Operating Frequency:**

50/60Hz

**Operating Temperature:**

0°F to 122°F (0°C to 50°C)

**Protections:**

- Battery overcharge protection
- Battery over-discharge protection
- Output overload protection
- Short-circuit protection
- Open load protection

**Battery:**

Lithium Ion 14.8V/180mAh

**Emergency Operation:**

90 minutes

**Emergency Power:**

9W

**Installation**

**Mounting:**  
Easy wiring: directly connect to AC INPUT OF LED Lights

**Construction**

**Finish:**  
Red

**Enclosure Material:**  
Steel

**Compliance**

**Listings:**  
Listed to UL924. For field or factory Installation (Indoor and Damp)

**NFPA Approved:**  
Compliance with American National Fire Protection Association (NFPA) 101 life Safety Code

**Environment:**  
Suitable for use indoors in dry and damp environments.

**California Title 20 Compliant:**  
Can be used to conform with the requirements of California Title 20

**California Title 24 JA8 Compliant:**  
No

**California Energy Commission (CEC) Status:**  
Lawful for Sales in California

## Technical Specifications (continued)

### IESNA LM-79 & LM-80 Testing:

RAB LED luminaires and LED components have been tested by an independent laboratory in accordance with IESNA LM-79 and LM-80.

### RoHS:

Mercury and UV free. RoHS-compliant components.

### FCC:

Complies with Part 15 of the FCC Rules

### Other

---

#### Compatible Products:

Panels & Troffers:

T34FA-[1X4][2X2][2X4]

Back-lit flat panel (non-LCB models only)

EZP-[1X4][2X2][2X4]

Edge-lit flat panel (non-LCB models only)

SWISHFA-[1X4][2X2][2X4]

Center basket troffer, field-adjustable (non-LCB models only)

C-SWISH-[1X4][2X2][2X4]

Eco-friendly center basket troffer, field-adjustable (non-LCB models only)

SWISH[AIR]-[1X4][2X2][2X4]

Center basket troffer, field-adjustable (non-LCB models only)

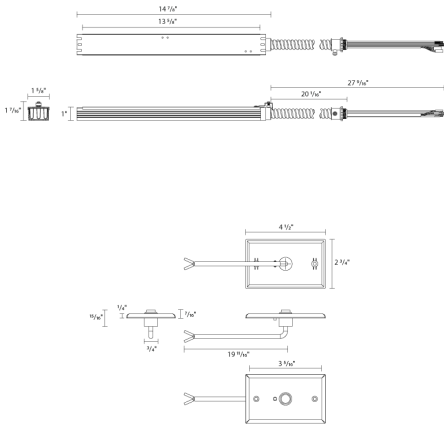
SWISH34-[1X4][2X2][2X4]

Center basket troffer, field-adjustable (non-LCB models only)

### 5-Year Limited Warranty:

The RAB 5-year, limited warranty covers light output, driver performance and paint finish. RAB's warranty is subject to all terms and conditions found at [rablighting.com/warranty](http://rablighting.com/warranty).

**Dimensions**



**Features**

- Constant power, AC solution emergency battery
- UL Listed for field or factory installation
- Meets or exceeds all NEC, IBC, and Life Safety Code Emergency Lighting Requirements
- CEC Title 20 Compliant
- Overcharge, over-discharge, output overload, short-circuit, and open load protection
- 5-Year Limited Warranty