



Color: Bronze

Weight: 4.0 lbs

Project:	Type:
Prepared By:	Date:

Driver Info		LED Info	
Type	Constant	Watts	14/11/7W
120V	0.12A	Color Temp	3000/4000/5000K
208V	0.07A	Color Accuracy	84-86 CRI
240V	0.06A	L70 Lifespan	100,000 Hours
277V	0.05A	Lumens	825-1,791 lm
Input Watts	6.9-13.4W	Efficacy	119.6-133.7 lm/W

Technical Specifications

Field Adjustability

Field Adjustable:

Field Adjustable Light Output: 14/11/7W (factory default: 14W)
 Color temperature selectable by 3000K, 4000K and 5000K (factory default: 4000K)

Compliance

UL Listed:

Suitable for wet locations

ADA Compliant:

Meets ADA Requirements for wall-mounted luminaires.

Trade Agreements Act Compliant:

This product is a product of Cambodia and a "designated country" end product that complies with the Trade Agreements Act

Electrical

Driver:

14W: Constant Current, Class 1, 120-277V, 50/60 Hz, 120V: 0.12A, 208V: 0.07A, 240V: 0.06A, 277V: 0.05A
 11W: Constant Current, Class 1, 120-277V, 50/60 Hz, 120V: 0.10A, 208V: 0.06A, 240V: 0.05A, 277V: 0.04A
 7W: Constant Current, Class 1, 120-277V, 50/60 Hz, 20V: 0.06A, 208V: 0.04A, 240V: 0.04A, 277V: 0.03A

Dimming Driver:

Driver includes dimming control wiring for 0-10V dimming systems. Requires separate 0-10V DC dimming circuit. Dims down to 10%.

THD:

5.46% at 120V, 10.99% at 277V

Power Factor:

99.5% at 120V, 94.5% at 277V

Aux Power Supply:

Yes

Dim to Off:

Yes

Photocell:

Integrated photocell included with on/off switch

Surge Protection:

4 kV

Performance

Lifespan:

100,000-Hour LED lifespan based on IESlm-80 results and TM-21 calculations

LED Characteristics

LEDs:

Long-life, high-efficacy, surface-mount LEDs

Color Consistency:

7-step MacAdam Ellipse binning to achieve consistent fixture-to-fixture color

Color Uniformity:

RAB's range of Correlated Color Temperature follows the guidelines of the American National Standard for Specifications for the Chromaticity of Solid State Lighting (SSL) Products, ANSI C78.377-2017.

Construction

Housing:

Sheet metal

Lens:

Bio-based Polymethy Methacrylate (PMMA) lens

Reflector/Tray:

Aluminum

Gaskets:

High-temperature silicone

Cold Weather Starting:

The minimum starting temperature is -40°F (-40°C)

Maximum Ambient Temperature:

Suitable for use in up to 122°F (50°C)

Technical Specifications (continued)

Green Technology:

Mercury and UV free. RoHS-compliant components.

Finish:

Formulated for high durability and long-lasting color

Installation

Mounting:

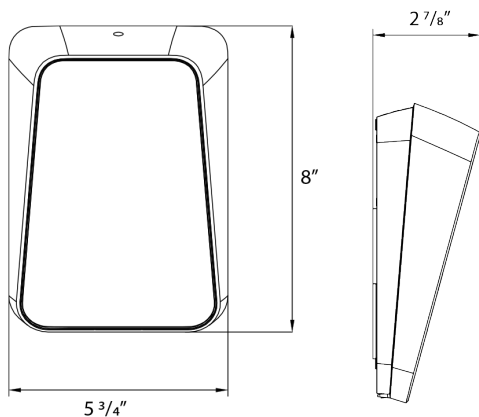
Wall mount

Other

5-Year, No-Compromise Warranty:

RAB warrants that our LED products will be free from defects in materials and workmanship for a period of five (5) years from the date of delivery to the end user, including coverage of light output, color stability, driver performance and fixture finish. RAB's warranty is subject to all terms and conditions found at rablighting.com/warranty.

Dimensions



Features

- 100,000-hour LED Life
- 120-277V
- Low-profile and ADA compliant
- Compatible with RAB specified 0-10V dimming system
- 5-Year, no-compromise warranty

Ordering Matrix

Family	Wattage	Color Temp	Driver	Finish	Controls
ENTRA	Blank = 14/11/7W	Blank = 3000/4000/5000K CCT Adjustable	Blank = 120-277V, 0-10V Dimming	Blank = Bronze W = White	Blank = On/Off Photocell