



Color: Black

Weight: 3.4 lbs

Project:

Type:

Prepared By:

Date:

Technical Specifications

Performance

Product Type:

Wet Location Remote Heads

Product Series:

Emergency Remote Heads

Description:

Wet location rated LED Remote lamps are designed to work with any exit combos and emergency lighting units.

Input Power (W):

1.2W Max

Lumens (lm):

90lm

Construction

Housing Material:

Thermoplastic Housing 5VA Flame Rating

Housing Finish:

Black

Illumination Source:

Remote Single Head

Optical System:

Precision engineered Prismatic Lens

Head Orientation:

Adjustable heads for aiming light where required

LED Characteristics

Color Temperature:

6500K

Electrical

Input Voltage (V):

3.6-15V

Input Current @ 120V (A):

0.30A

Operating Temperature:

32°F to 104°F (0°C to 40°C)

Installation

Mounting:

Wall mount

Application:

Outdoor use

Mounting Height:

8.2 ft

Compliance

Listings:

UL924 Listed, NFPA 101 (current Life Safety Code), NEC and OSHA illumination standards

Environment:

Suitable for use in wet location

IP Rating:

IP65

T20 Compliant:

Can be used to conform with the requirements of California Title 20

California Title 24 JA8 Compliant:

No

California Energy Commission (CEC) Status:

Lawful for Sales in California

FCC:

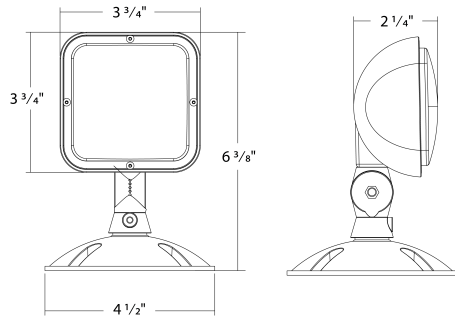
Complies with Part 15 of the FCC Rules

Other

3-Year, No-Compromise Warranty:

RAB warrants that our LED products will be free from defects in materials and workmanship for a period of three (3) years from the date of delivery to the end user, including coverage of light output, color stability, driver performance and fixture finish. RAB's warranty is subject to all terms and conditions found at rablighting.com/warranty.

Dimensions



Features

- Injection-molded thermoplastic ABS housing, UL 94V-0 flame rating
- 3.6V, 1W ultra bright white LED lamps
- Provides consistent and reliable illumination over time.
- Waterproof for outdoor use

Ordering Matrix

Family	Environment	Heads	Driver	High Lumen	Self Testing	Housing Color
EREMOTE	OUT	1				B
	Blank = Indoor OUT = Outdoor	Blank = 2 Heads 1 = 1 Head	Blank = Multi Volts	Blank = No High Lumen H = High Lumen	Blank = No Self Testing S = Self Testing	Blank = Gray W = White B = Black