



Color: White

Weight: 3.2 lbs

Project:	Type:
Prepared By:	Date:

Technical Specifications

Performance

Description:

Remote lamps are designed to work with Emergency Lights and Exit Comobo. Contemporary design offers fully adjustable heads that are available in single or double head options.

Input Power (W):

2.4W

Lumens (lm):

180lm

Construction

Housing Material:

Thermoplastic Housing 5VA Flame Rating

Housing Finish:

White Housing

Illumination Source:

Remote Dual Head

Optical System:

Precision engineered Prismatic Lens

Head Orientation:

Adjustable heads for aiming light where required

LED Characteristics

Color Temperature:

6500K

Electrical

Input Voltage (V):

3.6-15V

Input Current @ 120V (A):

0.60A

Operating Temperature:

32°F to 104°F (0°C to 40°C)

Installation

Mounting:

Wall mount

Application:

Indoor use

Mounting Height:

10.7 ft

Compliance

Listings:

UL924 Listed, NFPA 101 (current Life Safety Code), NEC and OSHA illumination standards

Environment:

Suitable for use in dry and damp environments. Not suitable for applications with direct sunlight.

IP Rating:

IP20

T20 Compliant:

Can be used to conform with the requirements of California Title 20

California Title 24 JA8 Compliant:

No

California Energy Commission (CEC) Status:

Lawful for Sales in California

FCC:

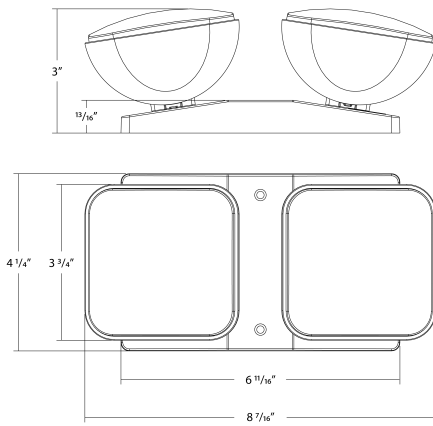
Complies with Part 15 of the FCC Rules

Other

3-Year, No-Compromise Warranty:

RAB warrants that our LED products will be free from defects in materials and workmanship for a period of three (3) years from the date of delivery to the end user, including coverage of light output, color stability, driver performance and fixture finish. RAB's warranty is subject to all terms and conditions found at rablighting.com/warranty.

Dimensions



Features

- Injection-molded thermoplastic ABS housing, UL 94V-0 flame rating
- 3.6V, 1W ultra bright white LED lamps
- Provides consistent and reliable illumination over time.

Ordering Matrix

Family	Environment	Heads	Driver	High Lumen	Self Testing	Housing Color
EREMOTE						
	Blank = Indoor OUT = Outdoor	Blank = 2 Heads 1 = 1 Head	Blank = Multi Volts	Blank = No High Lumen H = High Lumen	Blank = No Self Testing S = Self Testing	Blank = White B = Black