



Project:	Type:
Prepared By:	Date:

**Technical Specifications**

**Performance**

**Product Type:**

Chicago-Approved Edge-Lit Exit Sign

**Description:**

Chicago-approved ultra-economy edge-lit exit sign with a double face and red letters.

**Input Wattage:**

4.3W @120V; 4.7W @277V

**Electrical**

**Power Factor:**

≥0.9

**Input Voltage:**

Dual 120/277 Voltage

**Operating Frequency (Hz):**

60Hz

**Input Current @ 120V (mA):**

40mA

**Input Current @ 277V (mA):**

20mA

**Dual Voltage Circuit Operation:**

No

**Operating Temperature:**

32°F to 122°F (0°C to 50°C)

**Battery Backup:**

No, AC only

**Battery Operating Temperature:**

0°F to 50°F (32°C to 122°C)

**Storage Temperature:**

68°F to 86°F (20°C to 30°C)

**Self Diagnostics:**

No, manual test only

**Remote Test Switch:**

No

**Installation**

**Mounting Method:**

Back/Top/End

**Mounting Type:**

Wall/Ceiling Mount

**Cold Weather Rated:**

No

**Construction**

**Shape:**

Rectangle

**Housing Material:**

Aluminum

**Panel Material:**

Acrylic

**Panel Color:**

White

**Letter Color:**

Red

**Housing Color:**

White

**Number of Faces:**

Double Face

**Arrow Direction:**

No Arrow

**Arrow Material:**

Screen Print

**Sign Format:**

Edge-lit

**Remote Capacity:**

No

## Technical Specifications (continued)

### Compliance

---

**Listings:**

UL924 Listed, NFPA 101 (current Life Safety Code),  
NEC and OSHA illumination standards

**Environment:**

Suitable for indoor use in dry and damp  
environments

**IP Rating:**

Indoor

**Certification Model Number:**

CAELXTEU2RWW-NA

**T20 Compliant:**

Can be used to conform with the requirements of  
California Title 20

**California Title 24 JA8 Compliant:**

Not applicable

**California Energy Commission (CEC) Status:**

Lawful for Sales in California

**City Compliance:**

Chicago Approved

**FCC:**

Complies with Part 15 of the FCC Rules

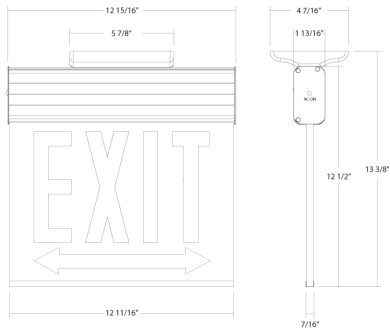
### Other

---

**5-Year, No-Compromise Warranty:**

RAB warrants that our LED products will be free from defects in materials and workmanship for a period of five (5) years from the date of delivery to the end user, including coverage of light output, color stability, driver performance and fixture finish. RAB's warranty is subject to all terms and conditions found at [rablighting.com/warranty](http://rablighting.com/warranty).

## Dimensions



## Features

Double-face panel with red letters

## Ordering Matrix

Family	Mounting	Face	Exit Sign Letter Color	Panel	Housing	Arrows	Self Testing	State	Battery Backup
EXITEDGE				WP	W			CH	
	<b>RE</b> = Recessed Ceiling Mount <b>Blank</b> = Wall/Ceiling Surface Mount	<b>Blank</b> = Universal Faces <b>1</b> = 1 Face	<b>Blank</b> = Red <b>G</b> = Green	<b>Blank</b> = Clear Panel <b>MP</b> = Mirror Panel <b>WP</b> = White Panel	<b>Blank</b> = Aluminum Housing <b>W</b> = White Housing	<b>Blank</b> = No Arrow <b>LRA</b> = Left/Right Arrow <b>RA</b> = Right Arrow <b>LA</b> = Left Arrow <b>DA</b> = Double Arrow	<b>Blank</b> = No Self Testing <b>S</b> = Self Testing	<b>Blank</b> = Standard <b>CH</b> = Chicago <b>NY</b> = New York	<b>Blank</b> = No Battery Backup <b>/E</b> = Battery Backup