



| | |
|---------------------|--------------|
| Project: | Type: |
| Prepared By: | Date: |

| Driver Info | | LED Info | |
|-------------|-------------------|----------------|-----------------|
| Type | Constant Current | Watts | 50/40/30W |
| 120V | 0.42A/0.33A/0.25A | Color Temp | 3500/4000/5000K |
| 208V | 0.24A/0.19A/0.14A | Color Accuracy | 83-85 CRI |
| 240V | 0.21A/0.17A/0.13A | L70 Lifespan | 100,000 Hours |
| 277V | 0.18A/0.14A/0.11A | Lumens | 3,961-6,352 lm |
| Input Watts | 29.5-49.8W | Efficacy | 120.7-140 lm/W |

Technical Specifications

Field Adjustability

Field Adjustable:

Field Adjustable Light Output:
50W/40W/30W (factory default: 50W)
Color Temperature Selectable:
3500K, 4000K and 5000K (factory default:4000K)

Compliance

UL Listed:

Suitable for damp locations

IESNA LM-79 & LM-80 Testing:

RAB LED luminaires and LED components have been tested by an independent laboratory in accordance with IESNA LM-79 and LM-80.

IC Rated:

Suitable for direct contact with insulation

Trade Agreements Act Compliant:

This product is a product of Cambodia and a "designated country" end product that complies with the Trade Agreements Act

DLC Listed:

This product family is listed with the DesignLights Consortium (DLC). Individual SKUs within this family may carry either a DLC Standard or DLC Premium qualification. Please refer to the individual product specification sheet or the DLC Qualified Products List (QPL) at designlights.org to confirm the qualification status of a specific SKU prior to specification or purchase.

Electrical

Driver:

Constant Current, Class II, 120-277V, 50/60 Hz:
50W: 120V: 0.42A, 208V: 0.24A, 240V: 0.21A, 277V: 0.18A
40W: 120V: 0.33A, 208V: 0.19A, 240V: 0.17A, 277V: 0.14A
30W: 120V: 0.25A, 208V: 0.14A, 240V: 0.13A, 277V: 0.11A

Dimming Driver:

Driver includes dimming control wiring for 0-10V dimming systems. Requires separate 0-10V DC dimming circuit. Dims down to 10%.

Power Factor:

99.3% at 120V, 96.9% at 277V

Aux Power Supply:

No

Dim to Off:

Yes

Battery Backup:

Battery backup will operate the LED Lamp for 90 minutes if power fails. Wired for 120V-277V.

Battery Backup Light Loss Factor:

50W: 30%
40W: 37.5%
30W: 50%

Surge Protection:

2 kV + 4 kV

Construction

Cold Weather Starting:

The minimum starting temperature is 32°F/0°C

Maximum Ambient Temperature w/Battery Backup:

Suitable for use in up to 104°F (40°C)

Lens:

Precision engineered polystyrene diffuser provides high uniformity, and reduced glare. No visible diodes, hot-spots, or shadows.

Housing:

Aluminum+Iron

Technical Specifications (continued)

Reflector:

TPET reflective paper

Finish:

Formulated for high durability and long-lasting color

Green Technology:

Mercury and UV free. RoHS-compliant components.

Installation

Mounting:

Surface, suspended & recessed mounting. The mounting accessories sold separately.

Installation:

Standard integral T-bar clips secure the fixture to T-bars and prevent T-system separation

LED Characteristics

LEDs:

Long-life, high-efficacy, surface-mount LEDs

Color Stability:

LED color temperature is warranted to Shift no more than 200K in color temperature over a 5-year period

Color Uniformity:

RAB's range of Correlated Color Temperature follows the guidelines of the American National Standard for Specifications for the Chromaticity of Solid State Lighting (SSL) Products, ANSI C78.377-2017.

Performance

Lifespan:

100,000-Hour LED lifespan based on IESlm-80 results and TM-21 calculations

THD:

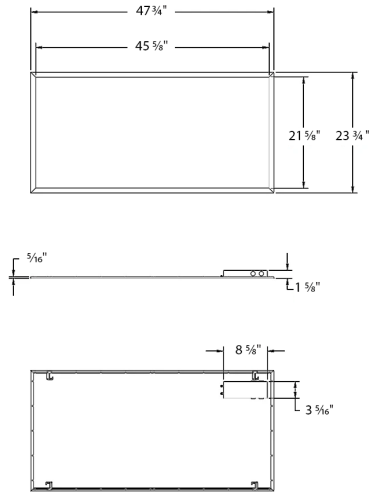
10.89% at 120V, 12.29% at 277V

Other

5-Year, No-Compromise Warranty:

RAB warrants that our LED products will be free from defects in materials and workmanship for a period of five (5) years from the date of delivery to the end user, including coverage of light output, color stability, driver performance and fixture finish. RAB's warranty is subject to all terms and conditions found at rablighting.com/warranty.

Dimensions



Features

- 100,000-hour LED Lifespan
- DLC Standard Listed
- 5-Year, No-Compromise Warranty

Ordering Matrix

| Family | Size | Wattage | Driver | Color Temp | Options | Output |
|--------|---------------|-----------------|------------------------------------|---|---|---|
| EZP | 2X4 | | | | | /E |
| | 2X2 = 2' x 2' | 2X4 = 50/40/30W | /D10 = 0-10V Dimming | Blank = 3500/4000/5000K CCT Adjustable | Blank = No Option /LC = Lightcloud /LCS = Lightcloud Sensor /E2 = Battery Backup | Blank = Standard Efficacy HE = High Efficacy |
| | 2X4 = 2' x 4' | 1X4 = 40/30/25W | Blank = 120-277V, 0-10V Dimming | | | |
| | 1X4 = 1' x 4' | 2X2 = 40/30/25W | | | | |