



<b>Project:</b>	<b>Type:</b>
<b>Prepared By:</b>	<b>Date:</b>

Driver Info		LED Info	
Type	Constant Current	Watts	50/40/30W
120V	0.42A/0.33A/0.25A	Color Temp	3500/4000/5000K
208V	0.24A/0.19A/0.14A	Color Accuracy	83-85 CRI
240V	0.21A/0.17A/0.13A	L70 Lifespan	100,000 Hours
277V	0.18A/0.14A/0.11A	Lumens	3,961-6,352 lm
Input Watts	29.5-49.8W	Efficacy	120.7-140 lm/W

**Technical Specifications**

**Field Adjustability**

**Field Adjustable:**

Field Adjustable Light Output:  
50W/40W/30W (factory default: 50W)  
Color Temperature Selectable:  
3500K, 4000K and 5000K (factory default:4000K)

**Compliance**

**UL Listed:**

Suitable for damp locations

**IESNA LM-79 & LM-80 Testing:**

RAB LED luminaires and LED components have been tested by an independent laboratory in accordance with IESNA LM-79 and LM-80.

**IC Rated:**

Suitable for direct contact with insulation

**Trade Agreements Act Compliant:**

This product is a product of Cambodia and a "designated country" end product that complies with the Trade Agreements Act

**DLC Listed:**

This product family is listed with the DesignLights Consortium (DLC). Individual SKUs within this family may carry either a DLC Standard or DLC Premium qualification. Please refer to the individual product specification sheet or the DLC Qualified Products List (QPL) at [designlights.org](http://designlights.org) to confirm the qualification status of a specific SKU prior to specification or purchase.

**Electrical**

**Driver:**

Constant Current, Class II, 120-277V, 50/60 Hz:  
50W: 120V: 0.42A, 208V: 0.24A, 240V: 0.21A, 277V: 0.18A  
40W: 120V: 0.33A, 208V: 0.19A, 240V: 0.17A, 277V: 0.14A  
30W: 120V: 0.25A, 208V: 0.14A, 240V: 0.13A, 277V: 0.11A

**Dimming Driver:**

Driver includes dimming control wiring for 0-10V dimming systems. Requires separate 0-10V DC dimming circuit. Dims down to 10%.

**Power Factor:**

99.3% at 120V, 96.9% at 277V

**Aux Power Supply:**

No

**Dim to Off:**

Yes

**Surge Protection:**

2 kV + 4 kV

**Construction**

**Cold Weather Starting:**

The minimum starting temperature is -22°F (-30°C)

**Maximum Ambient Temperature:**

Suitable for use in up to 104°F (40°C)

**Lens:**

Precision engineered polystyrene diffuser provides high uniformity, and reduced glare. No visible diodes, hot-spots, or shadows.

**Housing:**

Aluminum+Iron

**Reflector:**

TPET reflective paper

**Finish:**

Formulated for high durability and long-lasting color

**Green Technology:**

Mercury and UV free. RoHS-compliant components.

## Technical Specifications (continued)

### Installation

#### Mounting:

Surface, suspended & recessed mounting. The mounting accessories sold separately.

#### Installation:

Standard integral T-bar clips secure the fixture to T-bars and prevent T-system separation

### LED Characteristics

#### LEDs:

Long-life, high-efficacy, surface-mount LEDs

#### Color Stability:

LED color temperature is warrantied to Shift no more than 200K in color temperature over a 5-year period

#### Color Uniformity:

RAB's range of Correlated Color Temperature follows the guidelines of the American National Standard for Specifications for the Chromaticity of Solid State Lighting (SSL) Products, ANSI C78.377-2017.

### Performance

#### Lifespan:

100,000-Hour LED lifespan based on IESlm-80 results and TM-21 calculations

#### THD:

10.89% at 120V, 12.29% at 277V

### Other

#### 5-Year, No-Compromise Warranty:

RAB warrants that our LED products will be free from defects in materials and workmanship for a period of five (5) years from the date of delivery to the end user, including coverage of light output, color stability, driver performance and fixture finish. RAB's warranty is subject to all terms and conditions found at [rablighting.com/warranty](http://rablighting.com/warranty).

#### Compatible Accessories:

PMKEZPAN[2X2][1X4][2X4]

Pendant mounting kit

RMKEZPAN[2X2][1X4][2X4]

Recessed mounting kit

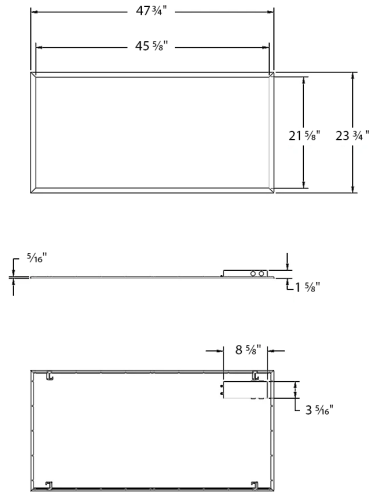
SMKEZPAN[2X2][1X4][2X4]

Surface mounting kit

EMB-[9][15][25]

0-10V Dimmable 120-347V emergency driver

Dimensions



Features

- 100,000-hour LED Lifespan
- DLC Standard Listed
- 5-Year, No-Compromise Warranty

Ordering Matrix

Family	Size	Wattage	Driver	Color Temp	Options	Output
EZP	2X4					
	2X2 = 2' x 2'	2X4 = 50/40/30W	/D10 = 0-10V Dimming	Blank = 3500/4000/5000K CCT Adjustable	Blank = No Option /LC = Lightcloud /LCS = Lightcloud Sensor /E2 = Battery Backup	Blank = Standard Efficacy HE = High Efficacy
	2X4 = 2' x 4'	1X4 = 40/30/25W	Blank = 120-277V, 0-10V Dimming			
	1X4 = 1' x 4'	2X2 = 40/30/25W				