



Color: Bronze

Weight: 27.8 lbs

Project:	Type:
Prepared By:	Date:

Driver Info		LED Info	
Type	Constant Current	Watts	180W
120V	N/A	Color Temp	4000/5000K
208V	N/A	Color Accuracy	81-83 CRI
240V	N/A	L70 Lifespan	100,000 Hours
277V	N/A	Lumens	17066-39017 lm
Input Watts	105.4-253.6W	Efficacy	149.8-163.7 lm/W

Technical Specifications

Field Adjustability

Field Adjustable:

Field Adjustable Light Output:
230W/180W/120W (factory default 230W)
Color temperature (selectable by 4000K and 5000K)

Compliance

UL Listed:

Suitable for wet locations. Suitable for mounting within 4 ft (1.2m) of the ground.

IP Rating:

Ingress protection rating of IP66 for dust and water

IESNA LM-79 & LM-80 Testing:

RAB LED luminaires and LED components have been tested by an independent laboratory in accordance with IESNA LM-79 and LM-80.

Trade Agreements Act Compliant:

This product is a product of Cambodia and a "designated country" end product that complies with the Trade Agreements Act

DLC Listed:

This product family is listed with the DesignLights Consortium (DLC). Individual SKUs within this family may carry either a DLC Standard or DLC Premium qualification. Please refer to the individual product specification sheet or the DLC Qualified Products List (QPL) at designlights.org to confirm the qualification status of a specific SKU prior to specification or purchase.

Electrical

Driver:

120W: Constant Current, Class 1, 480V, 50/60 Hz, 480V: 0.26A

180W: Constant Current, Class 2, 480V, 50/60 Hz, 480V: 0.39A

230W: Constant Current, Class 2, 480V, 50/60 Hz, 480V: 0.55A

Dimming Driver:

Driver includes dimming control wiring for 0-10V dimming systems. Requires separate 0-10V DC dimming circuit. Dims down to 10%.

THD:

11.36% at 480V

Power Factor:

92.37% at 480V

7-Pin Receptacle:

ANSI C136.41 7-pin receptacle

Surge Protection:

6 kV

LED Characteristics

LEDs:

Long-life, high-efficiency, discrete, surface-mount LEDs

Color Consistency:

7-step MacAdam Ellipse binning to achieve consistent fixture-to-fixture color

Color Stability:

LED color temperature is warranted to Shift no more than 200K in color temperature over a 5-year period

Color Uniformity:

RAB's range of Correlated Color Temperature follows the guidelines of the American National Standard for (SSL) Products, ANSI C78.377-2017.

Performance

Lifespan:

100,000-Hour LED lifespan based on IESIm-80 results and TM-21 calculations

Technical Specifications (continued)

Wattage Equivalency:

230W: 1000W Metal Halide
180W: 750W Metal Halide
120W: 750W Metal Halide

Optical

NEMA Type:

NEMA Beam Spread 7H x 6V

Construction

Cold Weather Starting:

The minimum starting temperature is -40°F (-40°C)

Ambient Temperature :

Max Power Temp Rating: 104°F (40°C)
Middle Power Temp Rating: 50°C (121°F)
Low Power Temp Rating: 140°F(60°C)

Housing:

Die-cast aluminum

Tilt Increment:

Rotates in 5 degree increments

Effective Projected Area (EPA):

EPA = 1.17

Lens:

Ultra clear, tempered glass

Reflector:

Vacuum metalized polycarbonate

Gaskets:

High-temperature silicone gaskets

Finish:

Formulated for high durability and long-lasting color

Green Technology:

Mercury and UV free. RoHS-compliant components.

Installation

Mounting:

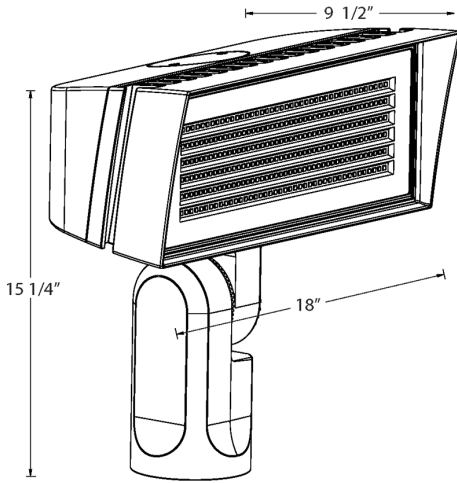
2 3/8" slipfitter mount with stainless steel hardware

Other

10-Year, No-Compromise Warranty:

RAB warrants that our LED products will be free from defects in materials and workmanship for a period of ten (10) years from the date of delivery to the end user, including coverage of light output, color stability, driver performance and fixture finish. RAB's warranty is subject to all terms and conditions found at rablighting.com/warranty.

Dimensions



Features

- Ultra-efficient LED and optical design
- 100,000-hour life based on LM-80 results and TM-21 calculations
- DLC Premium Listed
- 10-Year, No-Compromise Warranty

Ordering Matrix

Family	Housing Size	Color Temp	Mounting	Finish	Driver	Options
FFLED	L		SF		/480	/7PR
	XS = Field Adjustable 18W/13W/9W S = Field Adjustable 39W/26W/18W M = Field Adjustable 80W/52W L = Field Adjustable 230W/180W/120W	Blank = 4000/5000K CCT Adjustable Y = 3000K Warm	Blank = Knuckle Mount SF = Slipfitter T = Trunnion	Blank = Bronze W = White	Blank = 120-277V, 0-10V Dimming /480 = 480V, 0-10V Dimming	Blank = No Option /7PR = 7Pin Receptacle /PCU = 120-277V Button Photocell