



Color: Bronze

Weight: 5.1 lbs

<b>Project:</b>	<b>Type:</b>
<b>Prepared By:</b>	<b>Date:</b>

Driver Info		LED Info	
Type	Constant Current	Watts	13W
120V	0.10A	Color Temp	3000K (Warm)
208V	0.07A	Color Accuracy	83/82/82 CRI
240V	0.06A	L70 Lifespan	100,000 Hours
277V	0.05A	Lumens	1289/1862/2495 lm
Input Watts	9.2/13/17.5W	Efficacy	140.1/143.2/143.6 lm/W

## Technical Specifications

### Field Adjustability

#### Field Adjustable:

Field Adjustable Light Output:  
18W/13W/9W (factory default 18W)  
Color temperature (3000K)

### Compliance

#### UL Listed:

Suitable for wet locations. Suitable for mounting within 4 ft (1.2m) of the ground.

#### IP Rating:

Ingress protection rating of IP66 for dust and water

#### IESNA LM-79 & LM-80 Testing:

RAB LED luminaires and LED components have been tested by an independent laboratory in accordance with IESNA LM-79 and LM-80.

#### Trade Agreements Act Compliant:

This product is a product of Cambodia and a "designated country" end product that complies with the Trade Agreements Act

#### DLC Listed:

This product family is listed with the DesignLights Consortium (DLC). Individual SKUs within this family may carry either a DLC Standard or DLC Premium qualification. Please refer to the individual product specification sheet or the DLC Qualified Products List (QPL) at [designlights.org](http://designlights.org) to confirm the qualification status of a specific SKU prior to specification or purchase.

### LED Characteristics

#### LEDs:

Long-life, high-efficacy, discrete, surface-mount LEDs

#### Color Consistency:

7-step MacAdam Ellipse binning to achieve consistent fixture-to-fixture color

#### Color Stability:

LED color temperature is warranted to Shift no more than 200K in color temperature over a 5-year period

#### Color Uniformity:

RAB's range of Correlated Color Temperature follows the guidelines of the American National Standard for (SSL) Products, ANSI C78.377-2017.

### Electrical

#### Driver:

9W: Constant Current, Class 2, 120-277V, 50/60 Hz, 120V: 0.07A, 208V: 0.05A, 240V: 0.04A, 277V: 0.04A  
13W: Constant Current, Class 2, 120-277V, 50/60 Hz, 120V: 0.10A, 208V: 0.07A, 240V: 0.06A, 277V: 0.05A

#### Dimming Driver:

Driver includes dimming control wiring for 0-10V dimming systems. Requires separate 0-10V DC dimming circuit. Dims down to 10%.

#### THD:

5.2% at 120V, 9.97% at 277V

#### Power Factor:

99.2% at 120V, 92.8% at 277V

#### Photocell:

120-277V Button photocell included. Photocell is compatible with 120V-277V.

#### Surge Protection:

4 kV

### Performance

#### Lifespan:

100,000-Hour LED lifespan based on IESIm-80 results and TM-21 calculations

## Technical Specifications (continued)

**Wattage Equivalency:**

18W: 70W Metal Halide  
13W: 70W Metal Halide  
9W: 50W Metal Halide

---

**Optical****NEMA Type:**

NEMA Beam Spread 7H x 6V

---

**Construction****Cold Weather Starting:**

The minimum starting temperature is -40°F (-40°C)

**Ambient Temperature :**

Max Power Temp Rating: 122°F ( 50°C)  
Middle Power Temp Rating: 53.8°C (128.8°F)  
Low Power Temp Rating: 60.5°C (140.9°F)

**Housing:**

Die-cast aluminum

**Effective Projected Area (EPA):**

EPA = 0.32

**Lens:**

Ultra clear, tempered glass

**Reflector:**

Vacuum metalized polycarbonate

**Gaskets:**

High-temperature silicone gaskets

**Finish:**

Formulated for high durability and long-lasting color

**Green Technology:**

Mercury and UV free. RoHS-compliant components.

---

**Installation****Mounting:**

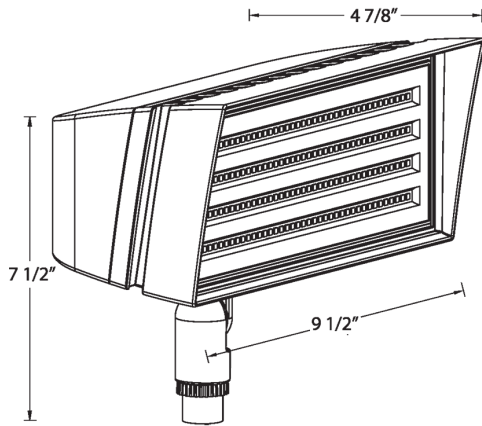
Robust knuckle mount with 180° adjustable swivel arm. Tilt angle in 10° increments.

---

**Other****10-Year, No-Compromise Warranty:**

RAB warrants that our LED products will be free from defects in materials and workmanship for a period of ten (10) years from the date of delivery to the end user, including coverage of light output, color stability, driver performance and fixture finish. RAB's warranty is subject to all terms and conditions found at [rablighting.com/warranty](http://rablighting.com/warranty).

**Dimensions**



**Features**

- Ultra-efficient LED and optical design
- 100,000-hour life based on LM-80 results and TM-21 calculations
- DLC Premium Listed
- 10-Year, No-Compromise Warranty

**Ordering Matrix**

Family	Housing Size	Color Temp	Mounting	Finish	Driver	Options
FFLED	XS	Y				/PCU
	XS = Field Adjustable 18W/13W/9W S = Field Adjustable 39W/26W/18W M = Field Adjustable 80W/52W L = Field Adjustable 230W/180W/120W	Blank = 4000/5000K CCT Adjustable Y = 3000K Warm	Blank = Knuckle Mount SF = Slipfitter T = Trunnion	Blank = Bronze W = White	Blank = 120-277V, 0-10V Dimming /480 = 480V, 0-10V Dimming	Blank = No Option /7PR = 7Pin Receptacle /PCU = 120-277V Button Photocell