

Color: White

Weight: 4.6 lbs

Project:

Type:

Prepared By:

Date:

**Driver Info**

Type	Constant Current
120V	0.37A
208V	0.21A
240V	0.18A
277V	0.16A
Input Watts	20.4-39.4W

**LED Info**

Watts	40/35/30/25/20W
Color Temp	3000/3500/4000/5000/6500K
Color Accuracy	83-85 CRI
L70 Lifespan	100,000 Hours
Lumens	2,637-5,081 lm
Efficacy	126.8-131.4 lm/W

**Technical Specifications****Field Adjustability****Field Adjustable:**

Field Adjustable Light Output:  
40/35/30/35/20W (factory default 40W)  
Color temperature selectable by 3000K, 3500K, 4000K, 5000K and 6500 (factory default 4000K)

**Compliance****UL Listed:**

Suitable for damp locations

**IESNA LM-79 & LM-80 Testing:**

RAB LED luminaires and LED components have been tested by an independent laboratory in accordance with IESNA LM-79 and LM-80.

**IC Rated:**

Suitable for direct contact with insulation

**DLC Listed:**

This product family is listed with the DesignLights Consortium (DLC). Individual SKUs within this family may carry either a DLC Standard or DLC Premium qualification. Please refer to the individual product specification sheet or the DLC Qualified Products List (QPL) at [designlights.org](http://designlights.org) to confirm the qualification status of a specific SKU prior to specification or purchase.

**Electrical****Driver:**

40W:  
Constant Current, Class 2, 120-277V, 50/60 Hz, 120V: 0.37A, 208V: 0.21A, 240V: 0.18A, 277V: 0.16A  
35W:  
Constant Current, Class 2, 120-277V, 50/60 Hz, 120V: 0.32A, 208V: 0.19A, 240V: 0.16A, 277V: 0.14A  
30W:  
Constant Current, Class 2, 120-277V, 50/60 Hz, 120V: 0.28A, 208V: 0.16A, 240V: 0.14A, 277V: 0.12A  
25W:  
Constant Current, Class 2, 120-277V, 50/60 Hz, 120V: 0.23A, 208V: 0.13A, 240V: 0.12A, 277V: 0.10A  
20W:  
Constant Current, Class 2, 120-277V, 50/60 Hz, 120V: 0.18A, 208V: 0.11A, 240V: 0.08A, 277V: 0.08A

**Dimming Driver:**

Driver includes dimming control wiring for 0-10V dimming systems. Requires separate 0-10V DC dimming circuit. Dims down to 10%.

**THD:**

5.82% at 120V, 12.04% at 277V

**Power Factor:**

99.79% at 120V, 99.80% at 277V

**Aux Power Supply:**

Yes

**Dim to Off:**

Yes

**Battery Backup:**

Battery backup will operate the LED Lamp for 90 minutes if power fails. Wired for 120V-277V.

**Battery Backup Light Loss Factor:**

40W: 0.05  
35W: 0.06  
30W: 0.07  
25W: 0.08  
20W: 0.10

**Construction****Cold Weather Starting:**

The minimum starting temperature is 32°F/0°C

**Maximum Ambient Temperature:**

Suitable for use in up to 122°F (50°C)

**Housing:**

Aluminum

**Lens:**

Polycarbonate lens

**Finish:**

Formulated for high durability and long-lasting color

## Technical Specifications (continued)

### Green Technology:

Mercury and UV free. RoHS-compliant components.

### Installation

#### Mounting:

Recessed into existing T-grid brackets

### LED Characteristics

#### LEDs:

Long-life, high-efficacy, surface-mount LEDs

### Color Uniformity:

RAB's range of Correlated Color Temperature follows the guidelines of the American National Standard for Specifications for the Chromaticity of Solid State Lighting (SSL) Products, ANSI C78.377-2017.

### Performance

#### Lifespan:

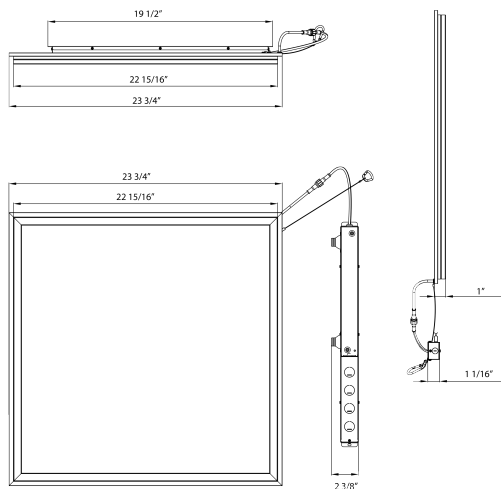
100,000-Hour LED lifespan based on IESIm-80 results and TM-21 calculations

### Other

#### 5-Year Limited Warranty:

The RAB 5-year, limited warranty covers light output, driver performance and paint finish. RAB's warranty is subject to all terms and conditions found at [rablighting.com/warranty](http://rablighting.com/warranty).

## Dimensions



## Features

- 100,000-hour LED Life
- DLC Premium Listed
- 0-10V dimming standard
- 5-Year, limited warranty

Ordering Matrix

Family	Size/Wattage	Color Temp	Finish	Driver	Options
FR	2X2				/E
	<b>2X2</b> = 2'x2', 40/35/30/25/20W <b>1X4</b> = 1'x4', 40/35/30/25/20W <b>2X4</b> = 2'x4, 50/45/40/35/30W	<b>Blank</b> = 3000/3500/4000/5000/6500K CCT Adjustable	<b>Blank</b> = White	<b>Blank</b> = 120-277V, 0-10V Dimming	<b>Blank</b> = No Option <b>/E</b> = Battery Backup <b>/LCB</b> = Lightcloud Blue