

Project:

Type:

Prepared By:

Date:

Driver Info

Type	Constant Current
120V	0.46A
208V	0.26A
240V	0.23A
277V	0.20A
Input Watts	28.7-47.5W

LED Info

Watts	50/45/40/35/30W
Color Temp	3000/3500/4000/5000/6500K
Color Accuracy	83-85 CRI
L70 Lifespan	100,000 Hours
Lumens	3,764-6,203 lm
Efficacy	128.8-134.2 lm/W

Technical Specifications**Field Adjustability****Field Adjustable:**

Field Adjustable Light Output:
50/45/40/35/30W (factory default 50W)
Color temperature selectable by 3000K, 3500K, 4000K, 5000K and 6500 (factory default 4000K)

Compliance**UL Listed:**

Suitable for damp locations

IESNA LM-79 & LM-80 Testing:

RAB LED luminaires and LED components have been tested by an independent laboratory in accordance with IESNA LM-79 and LM-80.

IC Rated:

Suitable for direct contact with insulation

DLC Listed:

This product family is listed with the DesignLights Consortium (DLC). Individual SKUs within this family may carry either a DLC Standard or DLC Premium qualification. Please refer to the individual product specification sheet or the DLC Qualified Products List (QPL) at designlights.org to confirm the qualification status of a specific SKU prior to specification or purchase.

Electrical**Driver:**

50W:
Constant Current, Class 2, 120-277V, 50/60 Hz, 120V: 0.46A, 208V: 0.26A, 240V: 0.23A, 277V: 0.20A
45W:
Constant Current, Class 2, 120-277V, 50/60 Hz, 120V: 0.41A, 208V: 0.24A, 240V: 0.21A, 277V: 0.16A
40W:
Constant Current, Class 2, 120-277V, 50/60 Hz, 120V: 0.37A, 208V: 0.21A, 240V: 0.18A, 277V: 0.16A
35W:
Constant Current, Class 2, 120-277V, 50/60 Hz, 120V: 0.32A, 208V: 0.19A, 240V: 0.16A, 277V: 0.14A
30W:
Constant Current, Class 2, 120-277V, 50/60 Hz, 120V: 0.28A, 208V: 0.16A, 240V: 0.14A, 277V: 0.12A

Dimming Driver:

Driver includes dimming control wiring for 0-10V dimming systems. Requires separate 0-10V DC dimming circuit. Dims down to 10%.

THD:

6.02% at 120V, 13.31% at 277V

Power Factor:

99.73% at 120V, 99.79% at 277V

Aux Power Supply:

Yes

Dim to Off:

Yes

Battery Backup:

Battery backup will operate the LED Lamp for 90 minutes if power fails. Wired for 120V-277V.

Battery Backup Light Loss Factor:

50W: 0.04
45W: 0.05
40W: 0.05
35W: 0.06
30W: 0.07

Construction**Cold Weather Starting:**

The minimum starting temperature is 32°F/0°C

Maximum Ambient Temperature:

Suitable for use in up to 122°F (50°C)

Housing:

Aluminum

Lens:

Polycarbonate lens

Finish:

Formulated for high durability and long-lasting color

Technical Specifications (continued)

Green Technology:

Mercury and UV free. RoHS-compliant components.

Installation

Mounting:

Recessed into existing T-grid brackets

LED Characteristics

LEDs:

Long-life, high-efficacy, surface-mount LEDs

Color Uniformity:

RAB's range of Correlated Color Temperature follows the guidelines of the American National Standard for Specifications for the Chromaticity of Solid State Lighting (SSL) Products, ANSI C78.377-2017.

Performance

Lifespan:

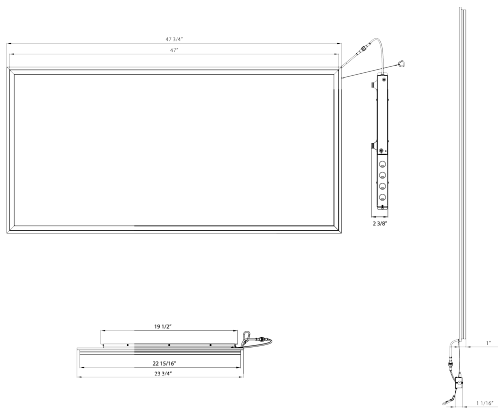
100,000-Hour LED lifespan based on IESIm-80 results and TM-21 calculations

Other

5-Year Limited Warranty:

The RAB 5-year, limited warranty covers light output, driver performance and paint finish. RAB's warranty is subject to all terms and conditions found at rablighting.com/warranty.

Dimensions



Features

- 100,000-hour LED Life
- DLC Premium Listed
- 0-10V dimming standard
- 5-Year, limited warranty

Ordering Matrix

Family	Size/Wattage	Color Temp	Finish	Driver	Options
FR	2X4				/E
2X2 = 2'x2', 40/35/30/25/20W 1X4 = 1'x4', 40/35/30/25/20W 2X4 = 2'x4, 50/45/40/35/30W	Blank = 3000/3500/4000/5000/6500K CCT Adjustable		Blank = White	Blank = 120-277V, 0-10V Dimming	Blank = No Option /E = Battery Backup /LCB = Lightcloud Blue