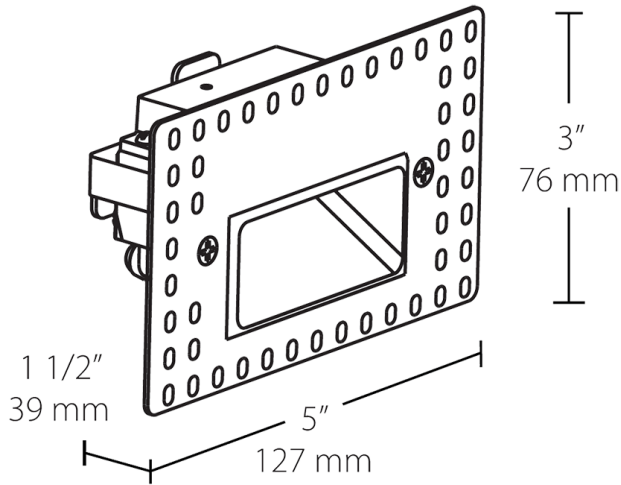


Dimensions



Features

- Easy installation into a recessed 2" x 4" job
- Deep regress of light source eliminates glare
- Concealed hardware for a clean, sophisticated look
- Suitable for both indoor and outdoor use
- 5-Year, No-Compromise Warranty

Ordering Matrix

Family	Orientation	Wattage	Color Temp	Finish	Driver	Trim Options
FSLED	H	3	YY	W	/120	/TL
	H = Horizontal V = Vertical	3 = 3W	N = 4000K Neutral Y = 3000K Warm YY = 2700K Residential Warm	Blank = Bronze W = White B = Black S = Matte Silver	/120 = 120V /277 = 277V	Blank = Surface Plate /TL = Trimless Mount