



Color: White + red

Weight: 1.0 lbs

Project:	Type:
Prepared By:	Date:

Driver Info		LED Info	
Type	Constant Current, Class 2	Watts	11W
120V	0.11A	Color Temp	2700/3000/3500/4000/5000K
208V	N/A	Color Accuracy	>90 CRI
240V	N/A	L70 Lifespan	N/A
277V	N/A	Lumens	1,000 lm
Input Watts	11W	Efficacy	90.9

Technical Specifications

Performance

Product Type:

Edge-Lit Wafer

Description:

Fire-resistant edge-lit wafer offered in 4" and 6" models with 5 selectable color temperatures in one wafer. The remote driver makes these ideal for new construction and retrofit applications.

Wattage Equivalency:

60W Incandescent

Input Wattage:

11W

Lumens:

2700K @ 919lm; 3000K @ 956lm; 3500K @ 991lm; 4000K 989lm; 5000K 930lm

Efficacy:

2700K @ 84lm/W; 3000K @ 87lm/W; 3500K @ 90lm/W; 4000K @ 90lm/W; 5000K @ 85lm/W

L70 Lifespan:

50,000-Hour LED lifespan based on IES LM-70 results

Electrical

Driver:

Constant Current, Class 2, 60 Hz, 120V, 120V: 0.11A

THD:

≤20%

Power Factor:

≥0.9

Dimmable:

Yes, using compatible TRIAC/ELV dimming systems. Dimmable down to 10%.

Input Voltage:

120V

Operating Frequency:

60 Hz

Input Current @ 120V (mA):

105mA

Operating Temperature:

-4°F to 104°F (-20°C to 40°C)

Flicker:

5%

LED Characteristics

Color Temperature:

Field adjustable via dip switch 2700/3000/3500/4000/5000K

Color Accuracy (CRI):

>90 CRI

R9 Value:

High color performance with R9 greater than or equal to 50

Color Consistency:

4-step MacAdam Ellipse binning to achieve consistent fixture-to-fixture color

Color Stability:

LED color temperature is warranted to Shift no more than 200K in color temperature over a 5-year period

Color Uniformity:

RAB's range of Correlated Color Temperature follows the guidelines of the American National Standard for Specifications for the Chromaticity of Solid State Lighting (SSL) Products, ANSI C78.377-2017.

Beam Angle:

90°

Technical Specifications (continued)

Installation

Mounting:

Recessed Housing

Installation:

Can be installed in ceilings from 3/8" to 5/8" thick with spring-loaded retention clips. Cutout template included in box. Can be removed from below the ceiling for service or replacement.

Remote Driver/Junction Box:

Die formed metal driver / junction box with captive hinged junction box cover. Recessed CCT Selectable dipswitch. Listed for (6) #12 AWG 90°C splice conductors, 2-in, 2-out plus (2) ground. (4) 1/2" conduit pry-outs. (3) quick snap-in connectors for quick and reliable line voltage connections. Integral mounting facilitates direct mounting to building structure or mounting frame.

Construction

Size:

4"

Shape:

Round

Finish:

White+Red

Enclosure Material:

Metal

Trim Style:

Baffle

Lens:

Polycarbonate light diffuser distributes light evenly and smoothly for general lighting applications

Cut Out Template Size:

3 7/8"

Air Tight:

Housing certified Air Tight as per ASTM-E283

Compliance

Fire Resistant:

Tested to UL 263 standards for 2-hour fire resistance

Environment:

Suitable for indoor and outdoor use in dry, damp, and wet environments

IC Rated:

Suitable for direct contact with insulation

DLC Listed:

This product family is listed with the DesignLights Consortium (DLC). Individual SKUs within this family may carry either a DLC Standard or DLC Premium qualification. Please refer to the individual product specification sheet or the DLC Qualified Products List (QPL) at designlights.org to confirm the qualification status of a specific SKU prior to specification or purchase.

T20 Compliant:

Not applicable

California Title 24 JA8 Compliant:

Can be used to conform with the requirements of California Title 24 Part 6.

California Energy Commission (CEC) Status:

Lawful for Sales in California

RoHS:

Mercury and UV free. RoHS-compliant components.

FCC:

Complies with Part 15B of the FCC Rules

Trade Agreements Act Compliant:

This product is a product of Cambodia and a "designated country" end product that complies with the Trade Agreements Act

Energy Star Approved:

ENERGY STAR® Version 1.0 Certified

Certification Model Number:

DLW0071(PUCKFA-4R-7.5-9CCT-120-WS)

Energy Star ID:

3477703

Other

Accessories:

[EXTCBL-FA-6](#)

6' Extension Cable

[EXTCBL-FA-12](#)

12' Extension Cable

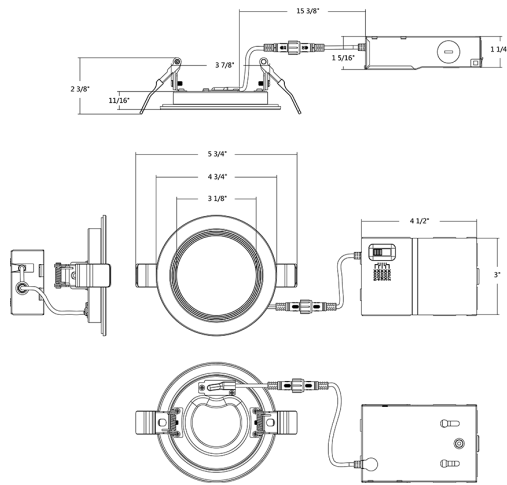
[EXTCBL-FA-20](#)

20' Extension Cable

[DRI-EMB-15S-LV](#)

2-n-1 Driver + Battery Backup

Dimensions



Features

- Tested to UL 263 standards for 2-hour fire resistance
- 5 color temperatures in 1 SKU (2700K, 3000K, 3500K, 4000K, 5000K)
- Super slim, edge-lit fixture
- No recessed housing or J-box required
- New construction or retrofit applications

Ordering Matrix

Family	Size	Shape	CRI/Color Temp	Driver	Finish	Trim
FWAFER	4					B
	4 = 4" 6 = 6"	Blank = Round	Blank = 90 CRI, 2700/3000/3500/4000/5000K CCT Adjustable	Blank = 120V	Blank = White + Red	Blank = Smooth B = Baffle