



Color: Bronze

Weight: 6.0 lbs

<b>Project:</b>	<b>Type:</b>
<b>Prepared By:</b>	<b>Date:</b>

Driver Info		LED Info	
Type	Constant Current	Watts	80/60/40W
120V	0.00A/0.00A/0.00A	Color Temp	3000/4000/5000K
208V	0.00A/0.00A/0.00A	Color Accuracy	82-86 CRI
240V	0.00A/0.00A/0.00A	L70 Lifespan	100,000 Hours
277V	0.00A/0.00A/0.00A	Lumens	5927-12083 lm
Input Watts	40.2-81.6W	Efficacy	137.5-156.5 lm/W

**Technical Specifications**

**Field Adjustability**

**Field Adjustable:**

Field Adjustable Light Output:  
80/60/40W (factory default 80W)  
Color temperature selectable by 3000K, 4000K and 5000K (factory default 4000K)

**Compliance**

**UL Listed:**

Suitable for wet locations. Suitable for mounting within 4 ft (1.2m) of the ground.

**IP Rating:**

Ingress protection rating of IP65 for dust and water

**IESNA LM-79 & LM-80 Testing:**

RAB LED luminaires and LED components have been tested by an independent laboratory in accordance with IESNA LM-79 and LM-80.

**Trade Agreements Act Compliant:**

This product is a product of Cambodia and a "designated country" end product that complies with the Trade Agreements Act

**LED Characteristics**

**LEDs:**

Long-life, high-efficacy, discrete, surface-mount LEDs

**Color Consistency:**

7-step MacAdam Ellipse binning to achieve consistent fixture-to-fixture color

**Color Stability:**

LED color temperature is warrantied to Shift no more than 200K in color temperature over a 5-year period

**Color Uniformity:**

RAB's range of Correlated Color Temperature follows the guidelines of the American National Standard for (SSL) Products, ANSI C78.377-2017.

**Electrical**

**Driver:**

40W: Constant Current, Class 2, 480V, 50/60 Hz, 480V: 0.11A

60W: Constant Current, Class 2, 480V, 50/60 Hz, 480V: 0.14A

80W: Constant Current, Class 2, 480V, 50/60 Hz, 480V: 0.19A

**Dimming Driver:**

Driver includes dimming control wiring for 0-10V dimming systems. Requires separate 0-10V DC dimming circuit. Dims down to 10%.

**Surge Protection:**

L/N: 6 kV, L/N-PE: 6 kV

**Performance**

**Lifespan:**

100,000-Hour LED lifespan based on IESIm-80 results and TM-21 calculations

**Wattage Equivalency:**

80W: 400W Metal Halide  
60W: 350W Metal Halide  
40W: 174W Metal Halide

**Optical**

**NEMA Type:**

NEMA Beam Spread 6H x 6V

**Construction**

**Cold Weather Starting:**

The minimum starting temperature is -40°F (-40°C)

**Ambient Temperature :**

Max Power Temp Rating: 104°F (40°C)  
Middle Power Temp Rating: 104°F (40°C)  
Low Power Temp Rating: 104°F (40°C)

**Housing:**

Die-cast aluminum

**Lens:**

Polycarbonate lens on LEDs, glass lens as cover

**Technical Specifications (continued)**

**Reflector:**

Polyethylene Terephthalate (PET)

**Gaskets:**

Ethylene Propylene Diene Monomer (EPDM)

**Finish:**

Formulated for high durability and long-lasting color

**Green Technology:**

Mercury and UV free. RoHS-compliant components.

**Installation**

**Mounting:**

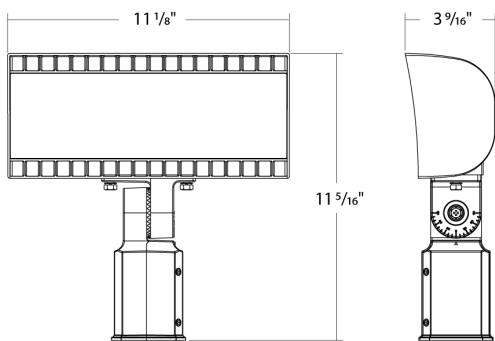
2 3/8" slipfitter mount with stainless steel hardware

**Other**

**10-Year, No-Compromise Warranty:**

RAB warrants that our LED products will be free from defects in materials and workmanship for a period of ten (10) years from the date of delivery to the end user, including coverage of light output, color stability, driver performance and fixture finish. RAB's warranty is subject to all terms and conditions found at [rablighting.com/warranty](http://rablighting.com/warranty).

**Dimensions**



**Features**

- 100,000-hour life based on LM-80 results and TM-21 calculations
- DLC Premium Listed
- IP66 Rating protects against dust & water ingress
- 10-Year, No-Compromise Warranty

Ordering Matrix

Family	Housing Size	Color Temp	NEMA Type	Mounting	Finish	Driver	Options
FXLED	XS			SF		/480	
	<b>XS</b> = Field Adjustable 80/60/40W <b>S</b> = Field Adjustable 168/132/97/69W <b>M</b> = Field Adjustable 346/213W <b>L</b> = Field Adjustable 534/445W	<b>Blank</b> = 3000/4000/5000K CCT Adjustable	<b>Blank</b> = 6H x 6V (XS&S) or 7H x 6V (M&L) <b>B33</b> = 3H x 3V <sup>1</sup> <b>B55</b> = 5H x 5V <sup>1</sup>	<b>SF</b> = Slipfitter <b>T</b> = Trunnion	<b>Blank</b> = Bronze <b>W</b> = White	<b>Blank</b> = 120-277V, 0-10V Dimming <b>/480</b> = 480V, 0-10V Dimming	<b>Blank</b> = No Option <b>/7PR</b> = 7-Pin receptacle

<sup>1</sup> Available on medium (M) and large (L) sizes only